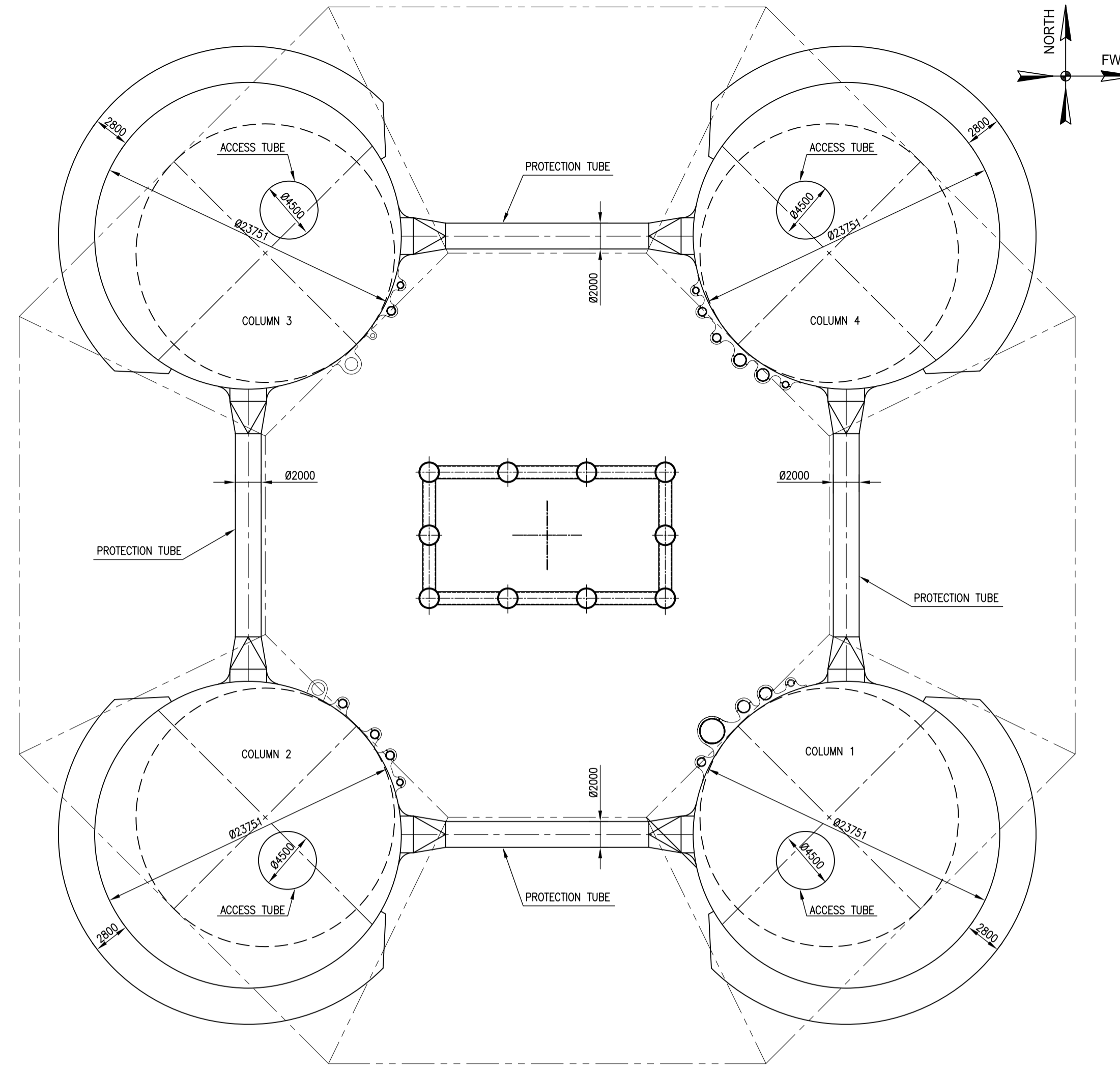
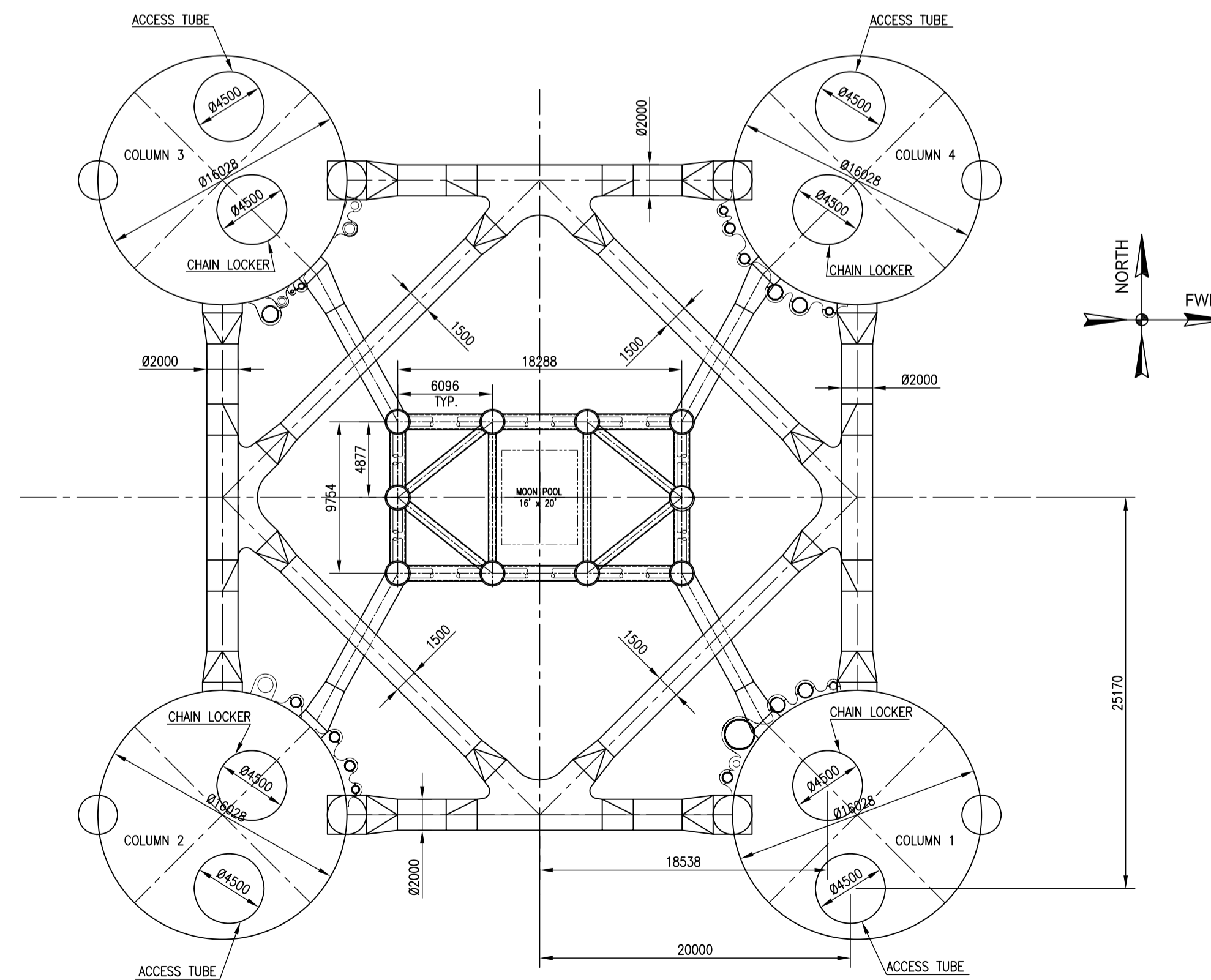


PLAN VIEW
EL. 78500 ABL.



EL.49482 ABL. PLAN



EL.77000 ABL. PLAN

NOTES:

PRINCIPAL DIMENSIONS

PONTOON WIDTH	19.06m/20.02m
PONTOON HEIGHT	10.92m
COLUMN SPACING	43.68m
BASE COLUMN	20.02m x 20.02m
HEIGHT TO TOP OF COLUMNS	78.50m
DRAFT	59.15m

DESCRIPTIONS & NOTES
LIST OF ALTERATIONS

- 2 3264-001_09 PRINCIPAL DIMENSION
- 1 3264-001_07 PRINCIPAL DIMENSION

2012-10-30 AS AS BUILT W.Y.L Y.X.Q BILL

PRINCIPAL DIMENSIONS PLAN VIEW	DWG No. N262-0002-01	
	101	
	1:300	1/2 AS

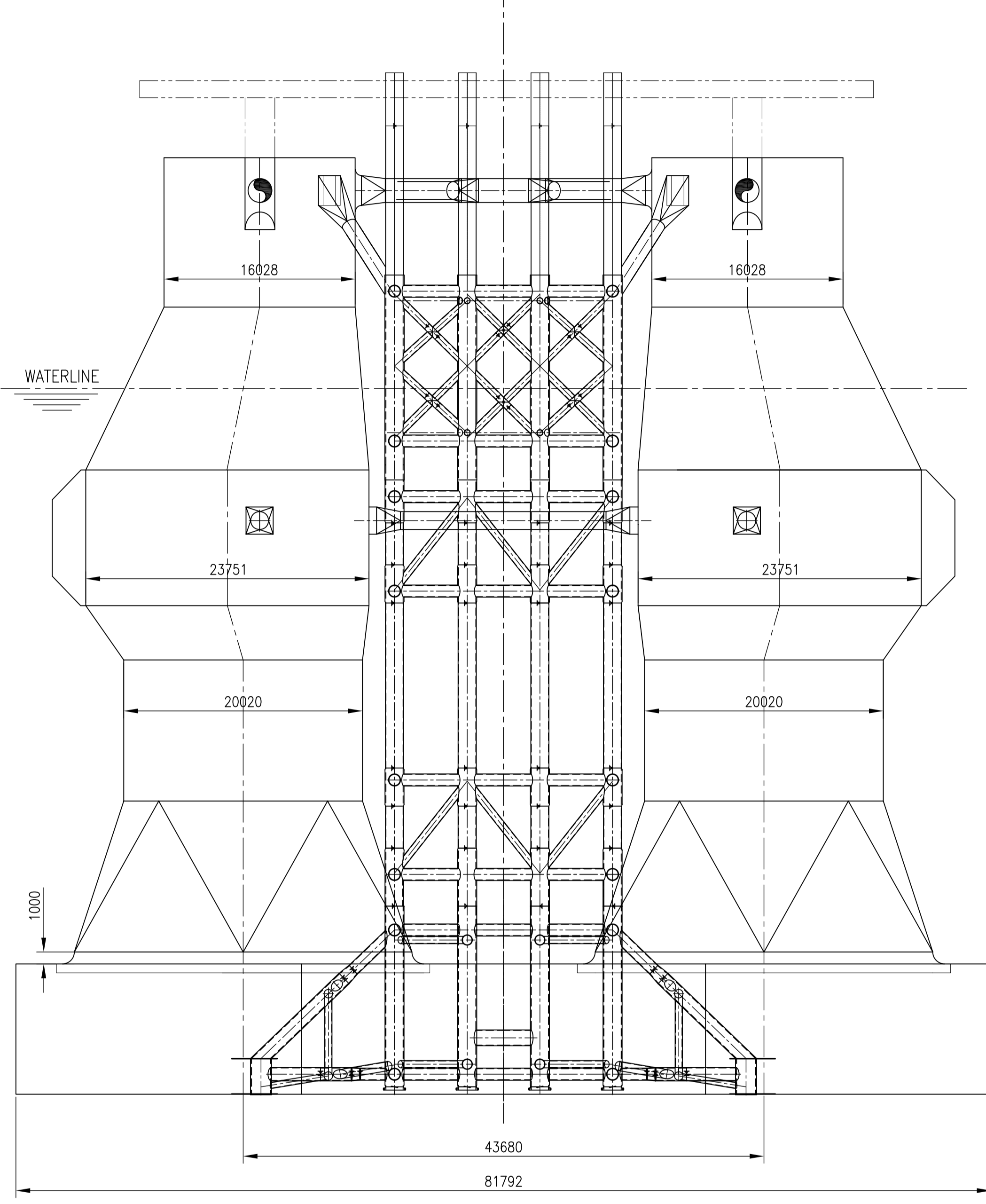
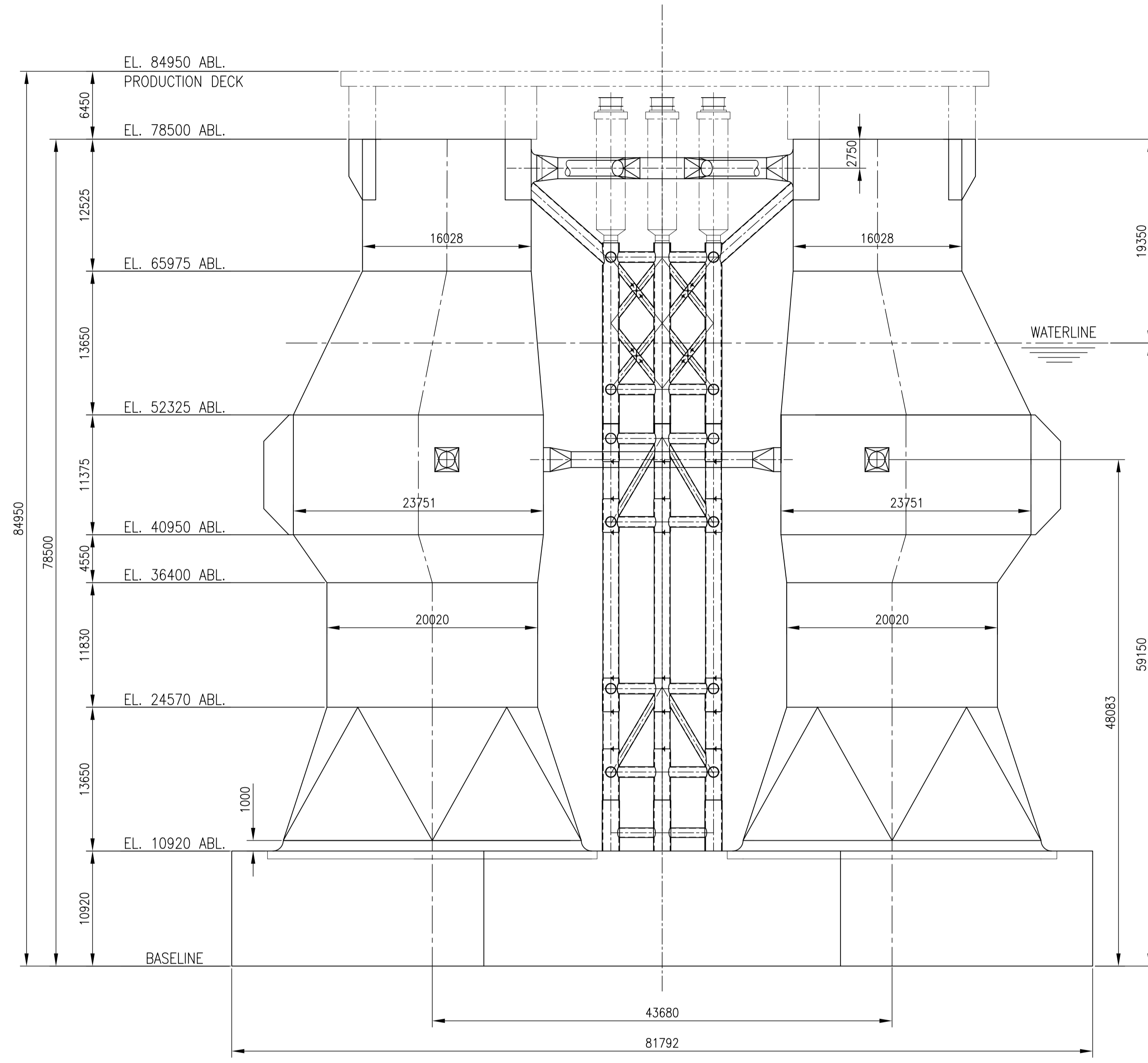
OWNER	E
CLASS	
HULL	
MACH	
PIPING	
OUTF'G	
HVAC	
E&I	
SHOP	
PJM	
QA/QC	
HSE	
TC-NT	
TC-SH	
Total	

NOTES:

D

C

B



DESCRIPTIONS & NOTES	
LIST OF ALTERATIONS	
2	3264-001_09 PRINCIPAL DIMENSION
1	3264-001_07 PRINCIPAL DIMENSION

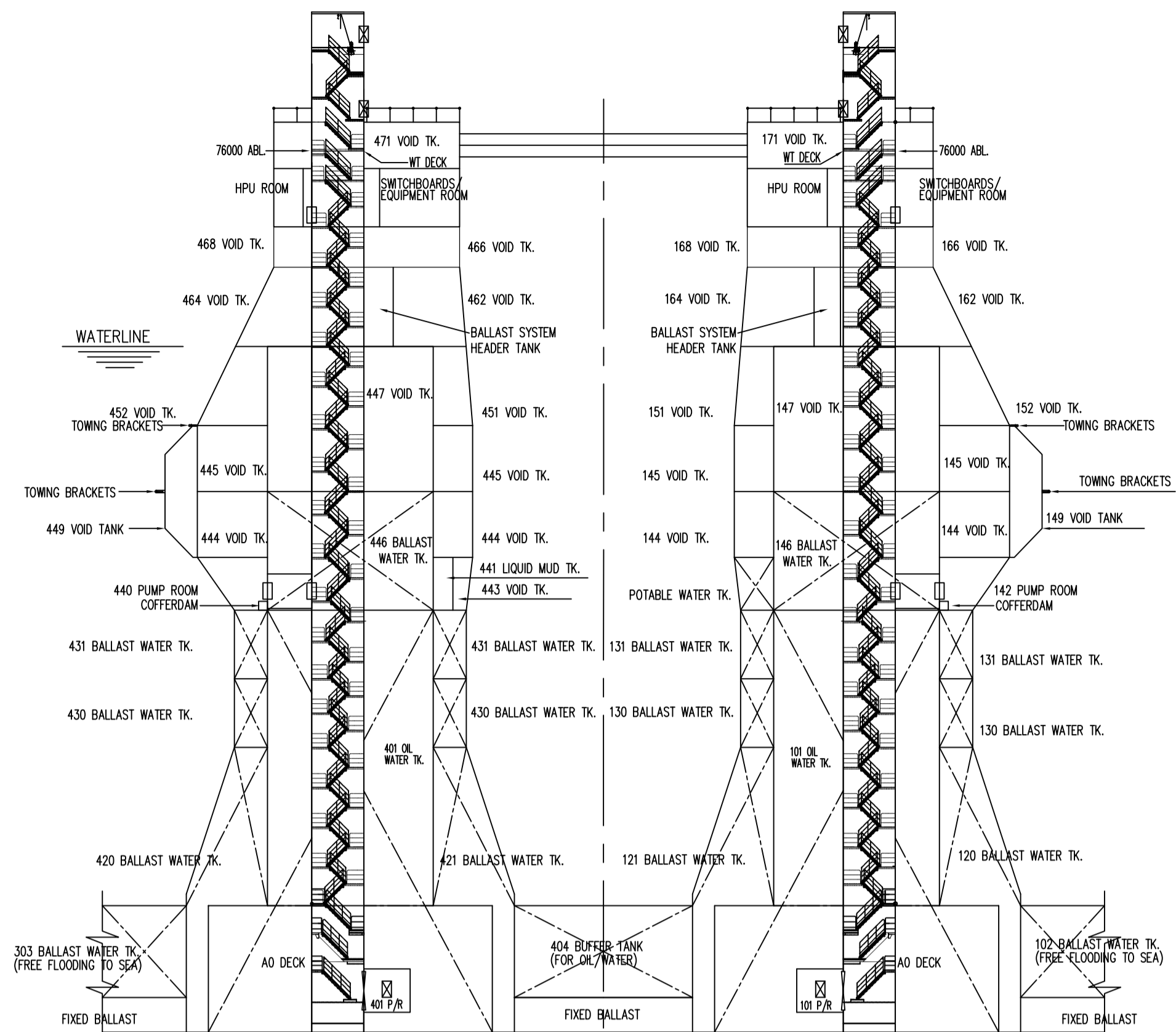
2012-06-08	AS	AS BUILT	W.Y.L	Y.X.Q	BILL
------------	----	----------	-------	-------	------

PRINCIPAL DIMENSIONS SECTION VIEW	DWG No. N262-D002-02		
	101		
	1:300	2/2	AS

OWNER	E
CLASS	
HULL	
MACH	
PIPING	
OUTF'G	
HVAC	
E&I	
SHOP	
PJM	
QA/QC	
HSE	
TC-NT	
TC-SH	
Total	

PRODUCT DECK 84950 ABL.

- 78500 ABL.
- 74500 ABL.
- 69475 ABL.
- 65975 ABL.
- 59150 ABL.
- 52325 ABL.
- 46640 ABL.
- 40950 ABL.
- 36400 ABL.
- 30485 ABL.
- 24570 ABL.
- 10920 ABL.
- BASELINE

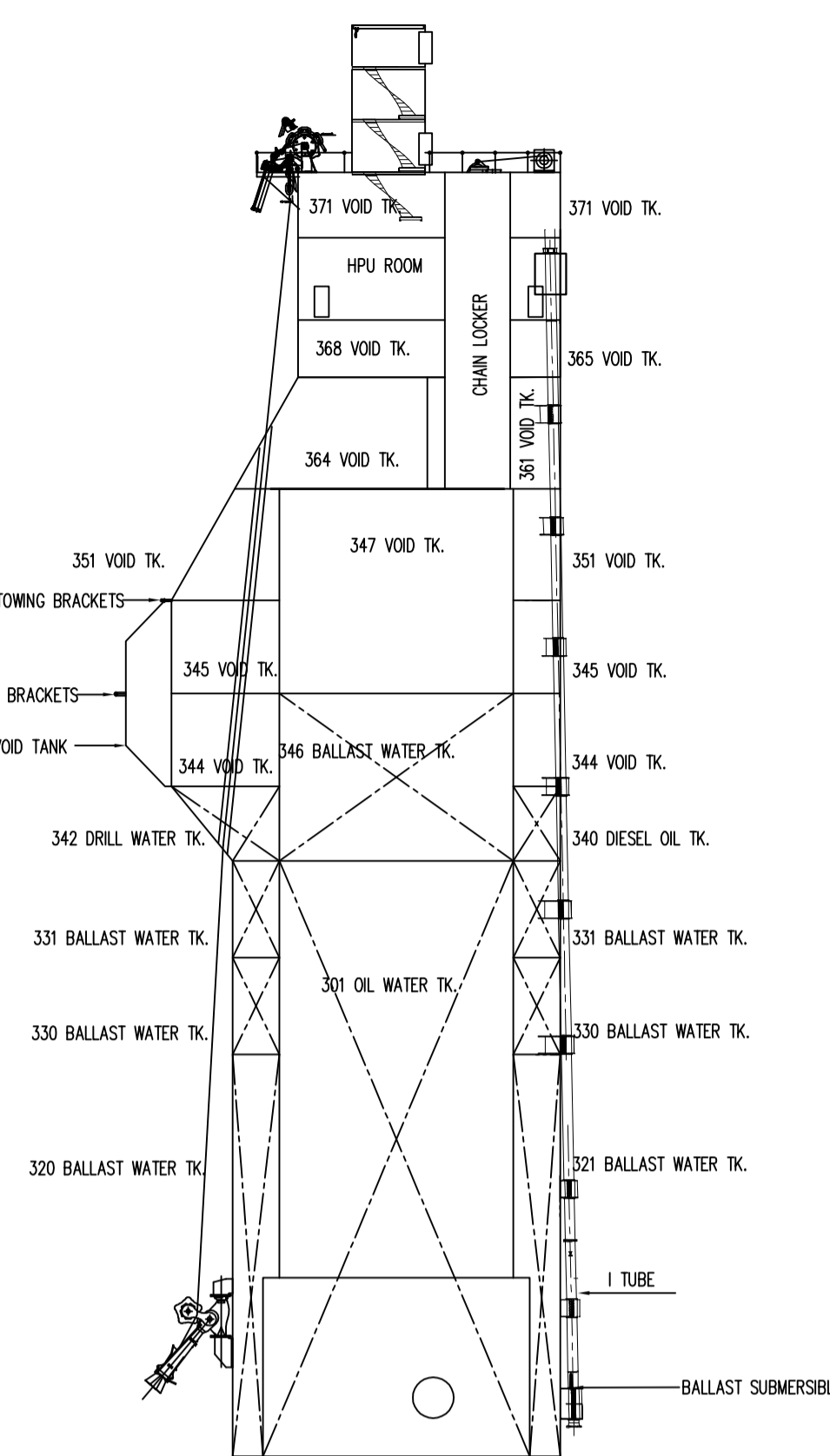


COLUMN 4 COLUMN 1

SECTION A-A

PRODUCT DECK 84950 ABL.

- 78500 ABL.
- 74500 ABL.
- 69475 ABL.
- 65975 ABL.
- 59150 ABL.
- 52325 ABL.
- 46640 ABL.
- 40950 ABL.
- 36400 ABL.
- 30485 ABL.
- 24570 ABL.
- 10920 ABL.
- BASELINE

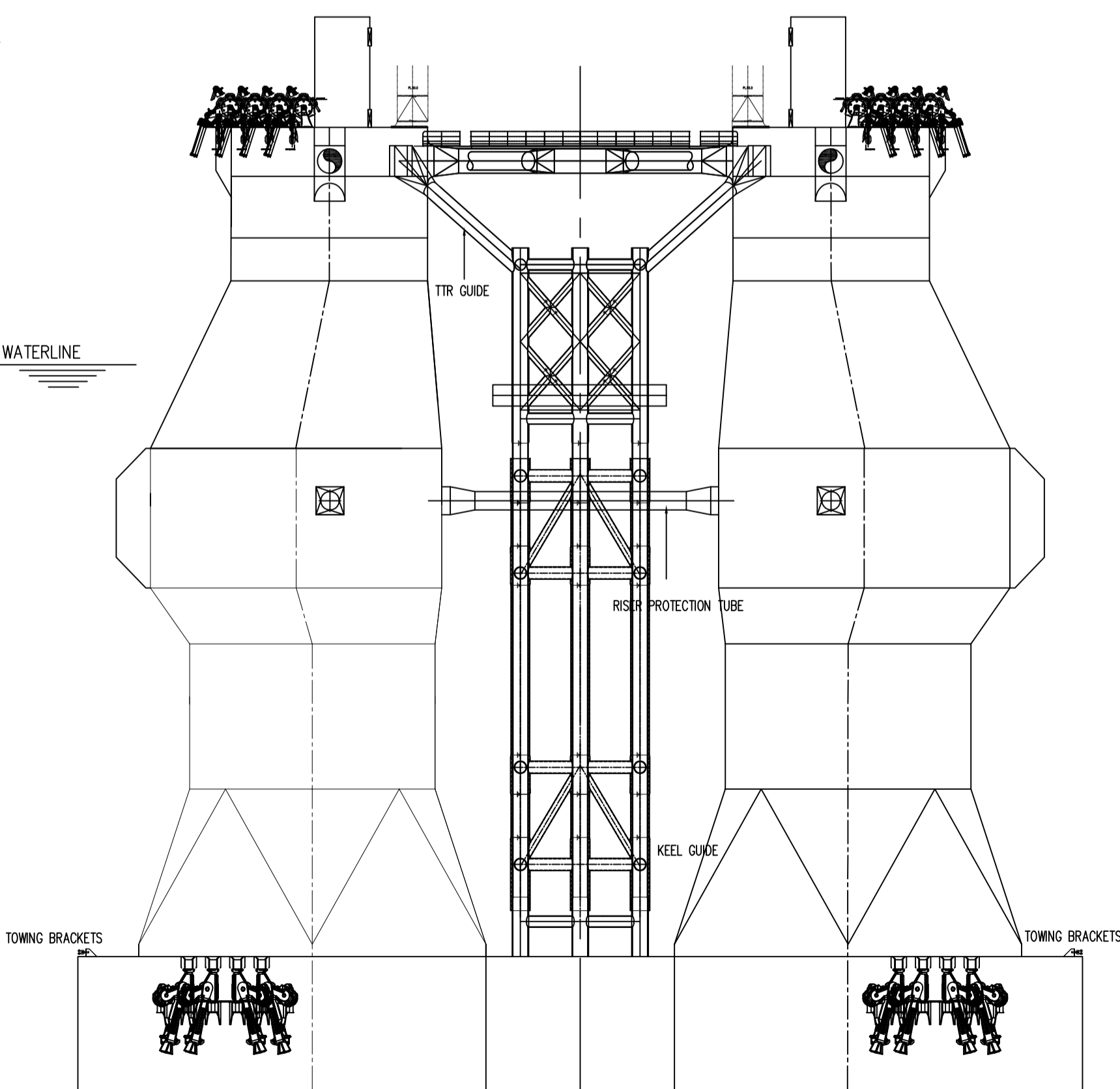


COLUMN 3 COLUMN 1

SECTION B-B

PRODUCT DECK 84950 ABL.

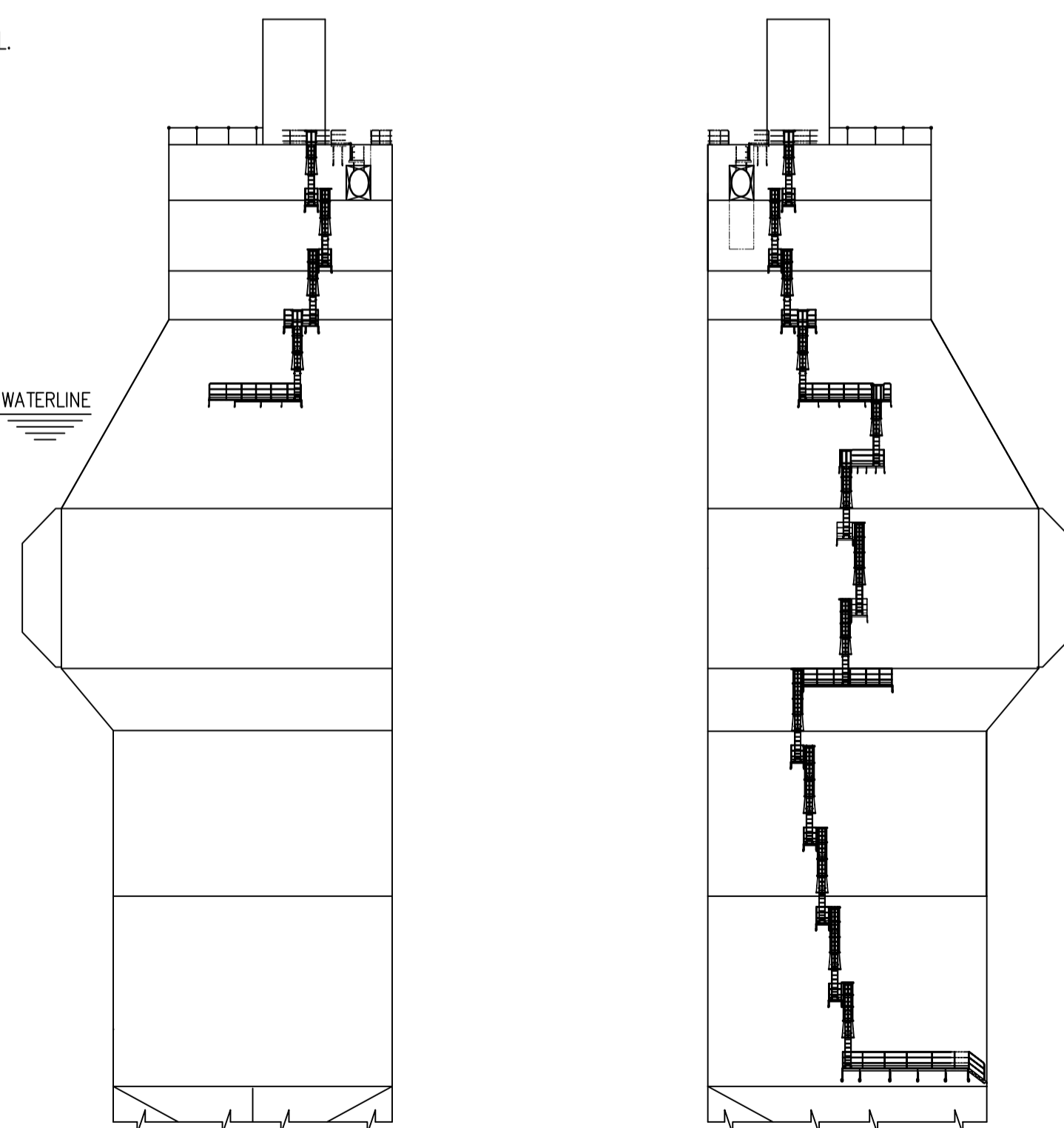
- PARTIAL DECK 77000 ABL.
- 78500 ABL.
- 74500 ABL.
- 69475 ABL.
- 65975 ABL.
- 59150 ABL.
- 52325 ABL.
- 46640 ABL.
- 40950 ABL.
- 36400 ABL.
- 30485 ABL.
- 24570 ABL.
- 10920 ABL.
- BASELINE



SECTION C-C
(LOOKING PORT)

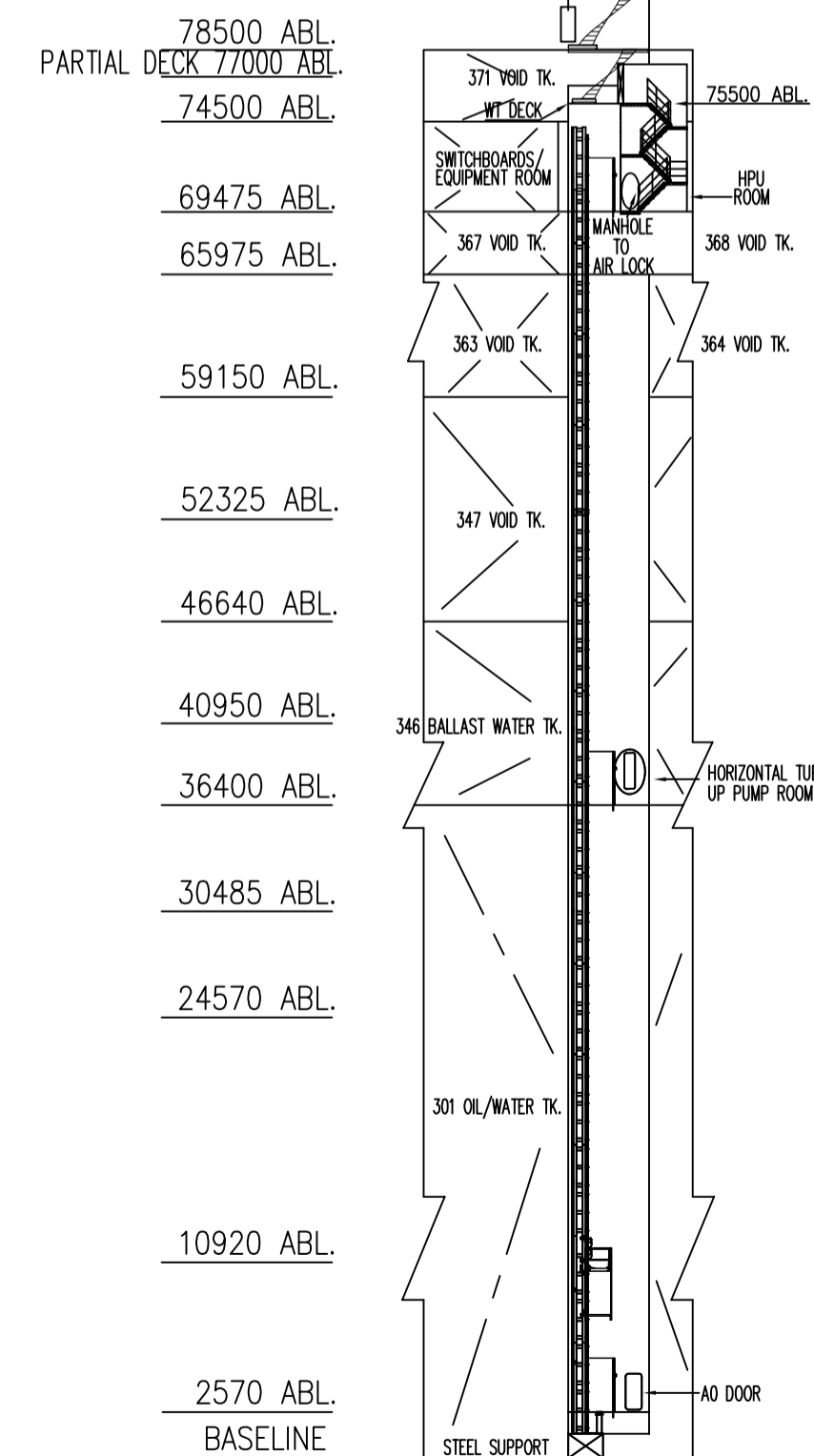
PRODUCT DECK 84950 ABL.

- PARTIAL DECK 77000 ABL.
- 78500 ABL.
- 74500 ABL.
- 69475 ABL.
- 65975 ABL.
- 59150 ABL.
- 52325 ABL.
- 46640 ABL.
- 40950 ABL.
- 36400 ABL.
- 30485 ABL.
- 24570 ABL.
- 10920 ABL.



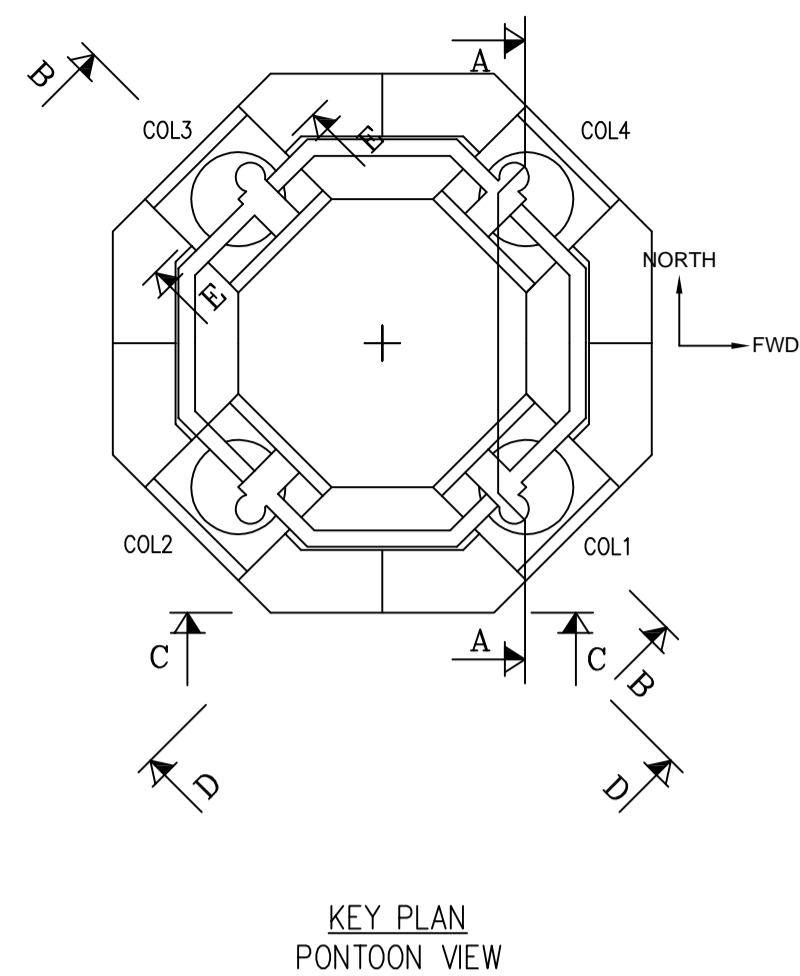
COLUMN 2 COLUMN 1

SECTION D-D



SECTION E-E

NOTES:



KEY PLAN
PONTON VIEW

NO	DESCRIPTIONS & NOTES	BY	DATE
LIST OF ALTERATIONS			
2	3264-078-03	PLATFORMS LADDERS AND STAIRS EXTERNAL	
1	3264-078-03	PLATFORMS LADDERS AND STAIRS EXTERNAL	

LIST OF REFERENCED DRAWINGS AND DOCUMENTS

DATE	REV	DESCRIPTION	DWN	CHKD	APPD

PROJECT: CHEVIOT-OCTABUOY
 DWG TITLE: GENERAL ARRANGEMENT SECTION VIEW
 DWG No. N262-G001-01
 SFI No. 101
 SCALE: 1:400
 SHEET: 1/1
 STATUS: AS

D

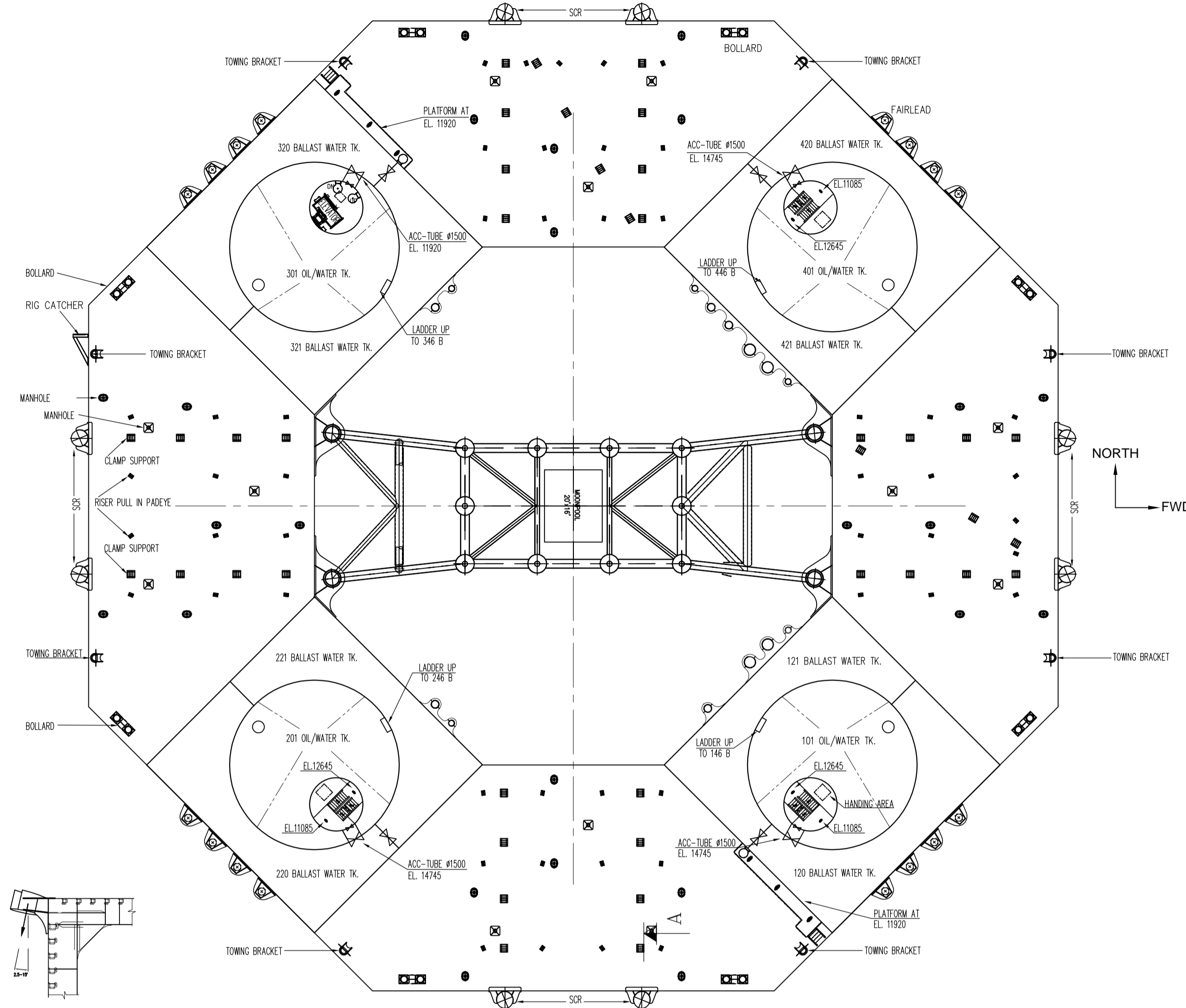
C

B

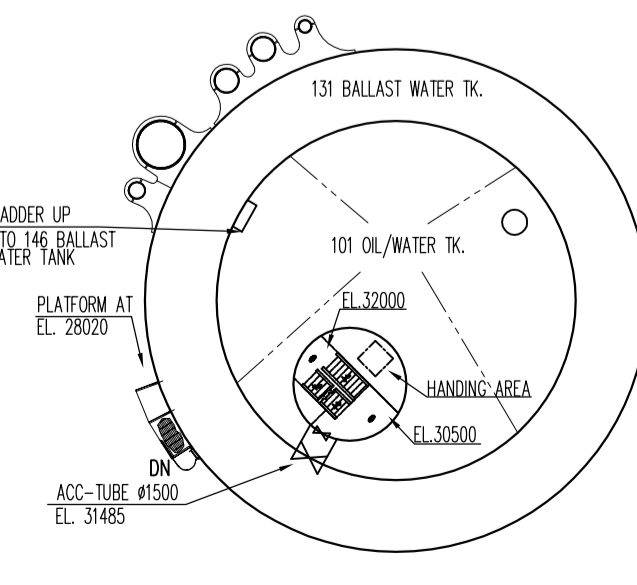
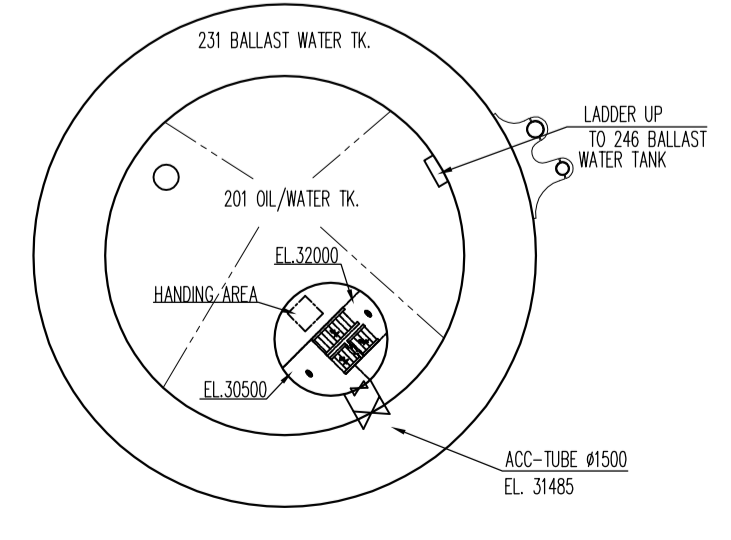
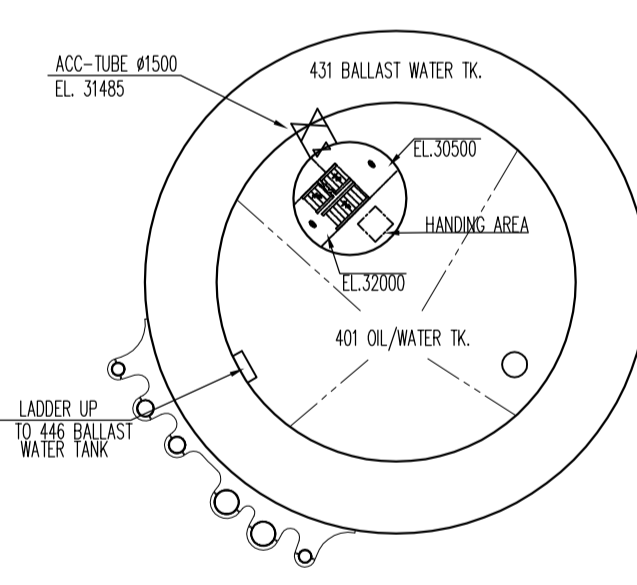
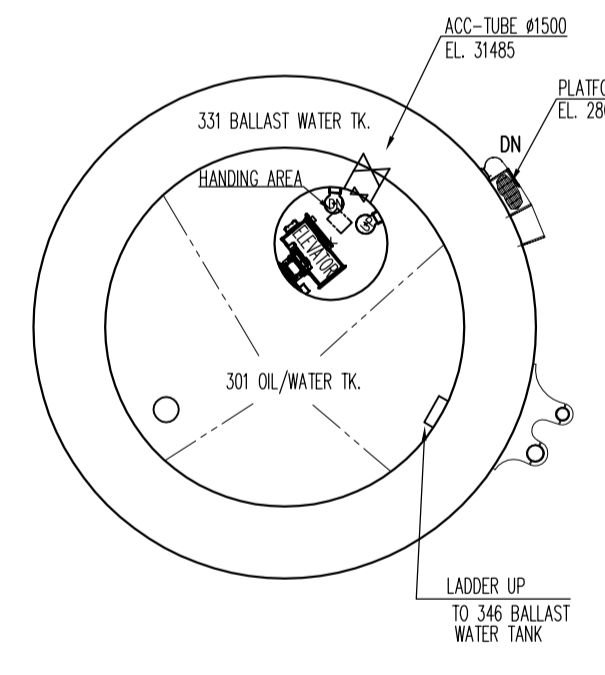
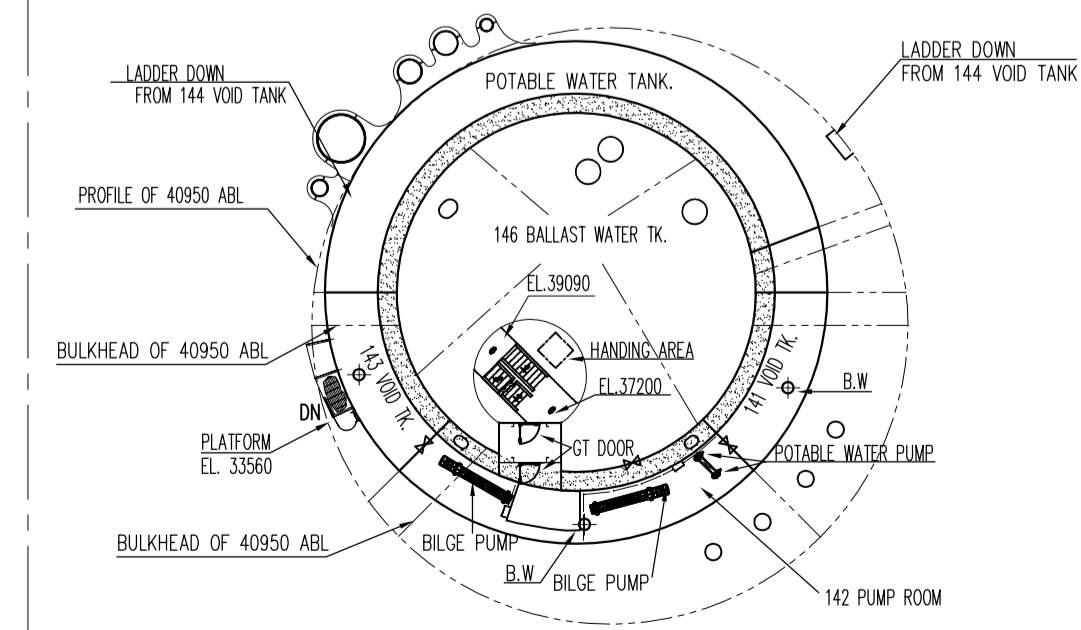
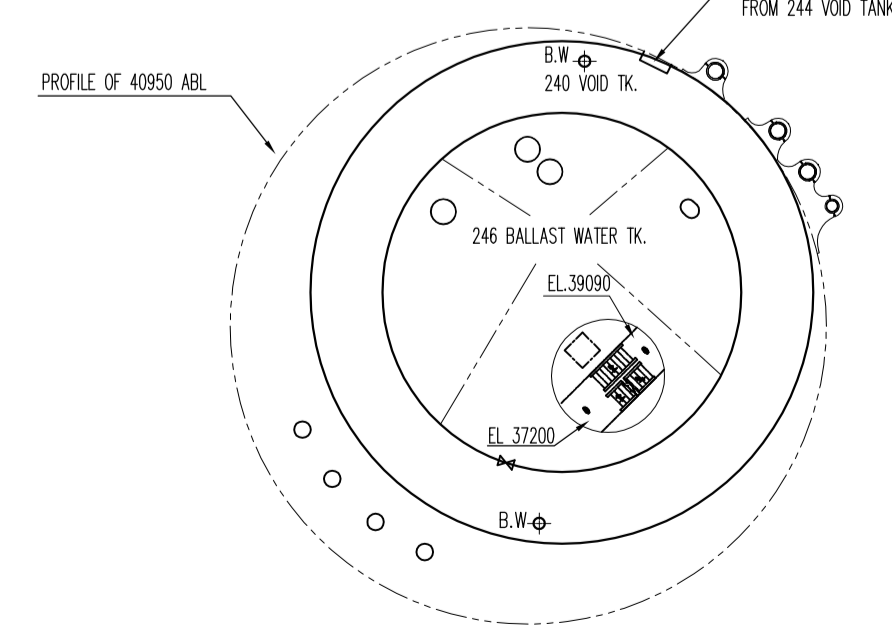
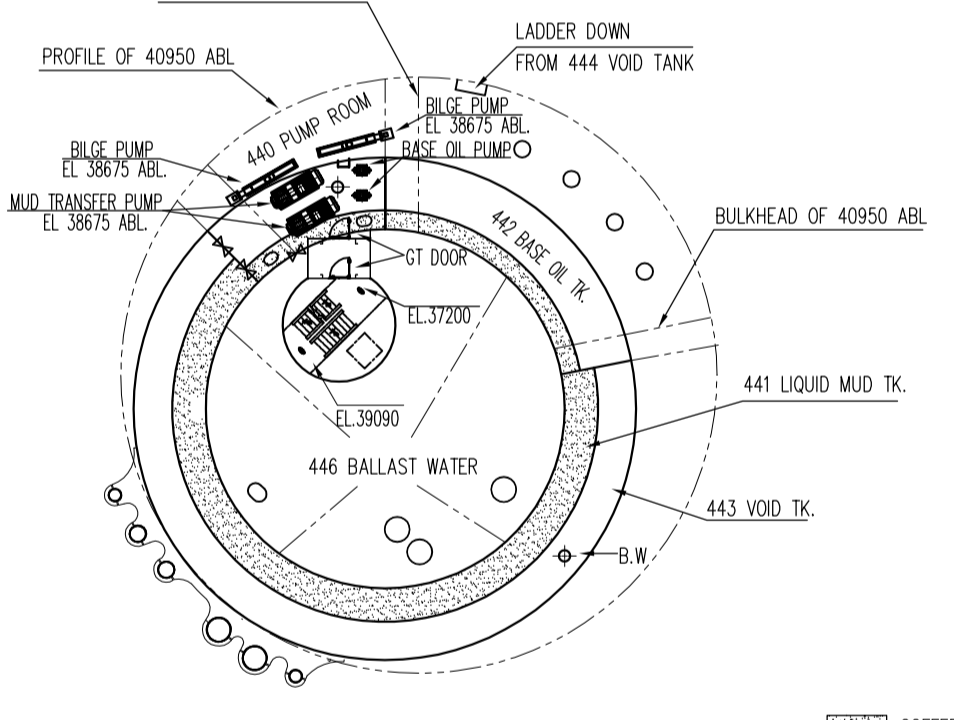
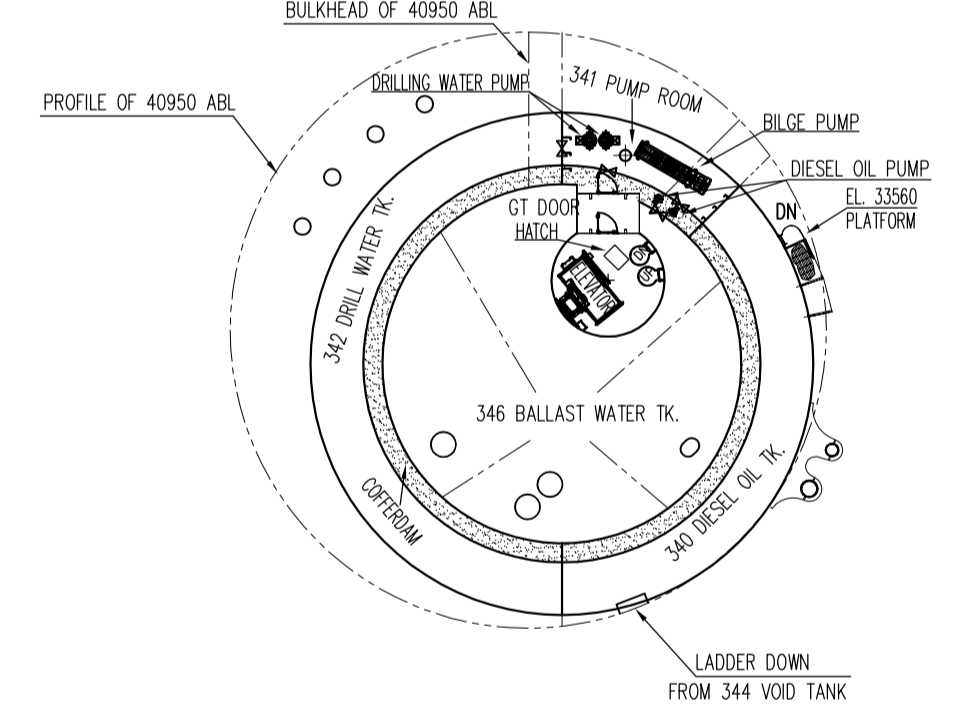
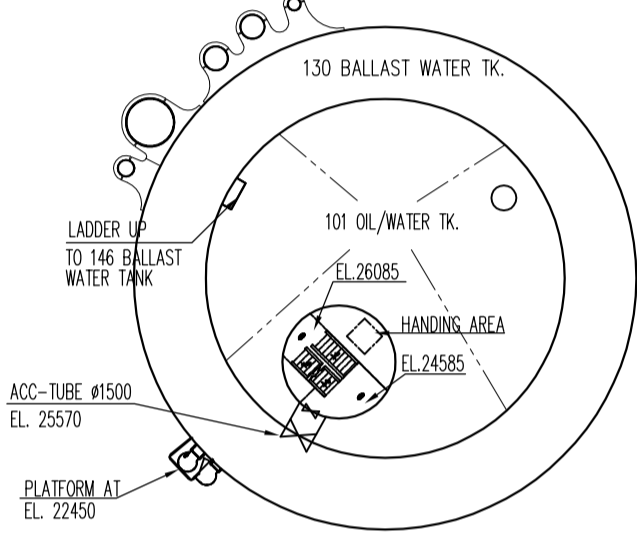
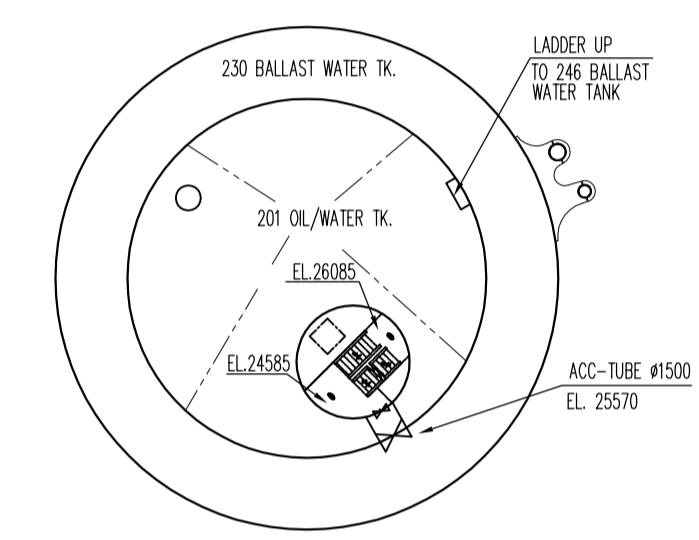
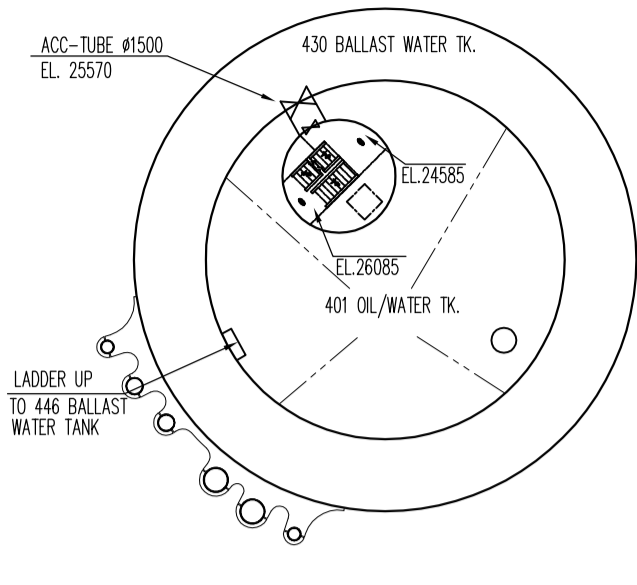
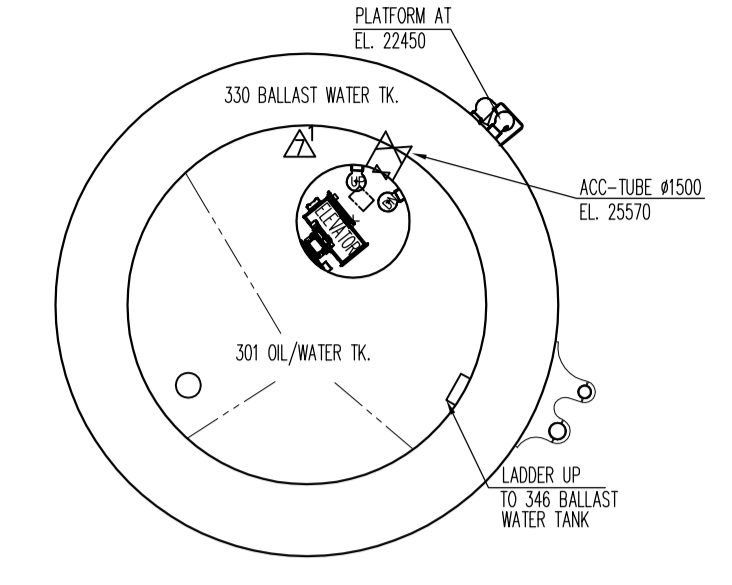
1

2

3



SECTION A-A SCALE 1:150



PLAN VIEW AT 30485

PLAN VIEW AT 24570

PLAN VIEW AT 36400

NORTH
FWD

NORTH
FWD

NORTH
FWD

NORTH
FWD

NOTES:

NO	DESCRIPTIONS & NOTES	BY	DATE
----	----------------------	----	------

LIST OF ALTERATIONS			
3	3264-078-02	PLATFORMS LADDERS AND STAIRS EXTERNAL	
2	N262-S040-04	MANHOLE SCHEDULE-COLUMN PLAN(EL.10920,24570,30485,36400,40950ABL)	
1	N262-S050-05	DOOR SCHEDULE - COLUMN PLAN (EL. 36400 65975 75000 ABL)	

LIST OF REFERENCED DRAWINGS AND DOCUMENTS			
2012.12.10	AS	AS BUILT	HZH XHJ ZLB
DATE	REV	DESCRIPTION	DWN CHKD APPD

PROJECT	CHEVIOT-OCTABUOY		
DWG TITLE:	GENERAL ARRANGEMENT COLUMN DECK PLAN	DWG No.	N262-G003-01
EL. 10920,24570,30485&36400 ABL		SFI No.	101
		SCALE	1:300
		SHEET	1/1
		STATUS	AS

OWNER	1
CLASS	
HULL	
MACH	
PIPING	
OUT'G	
HVAC	
E&I	
SHOP	
PJM	2
QA/QC	
HSE	
TC-NT	
TC-SH	
Total	3

D

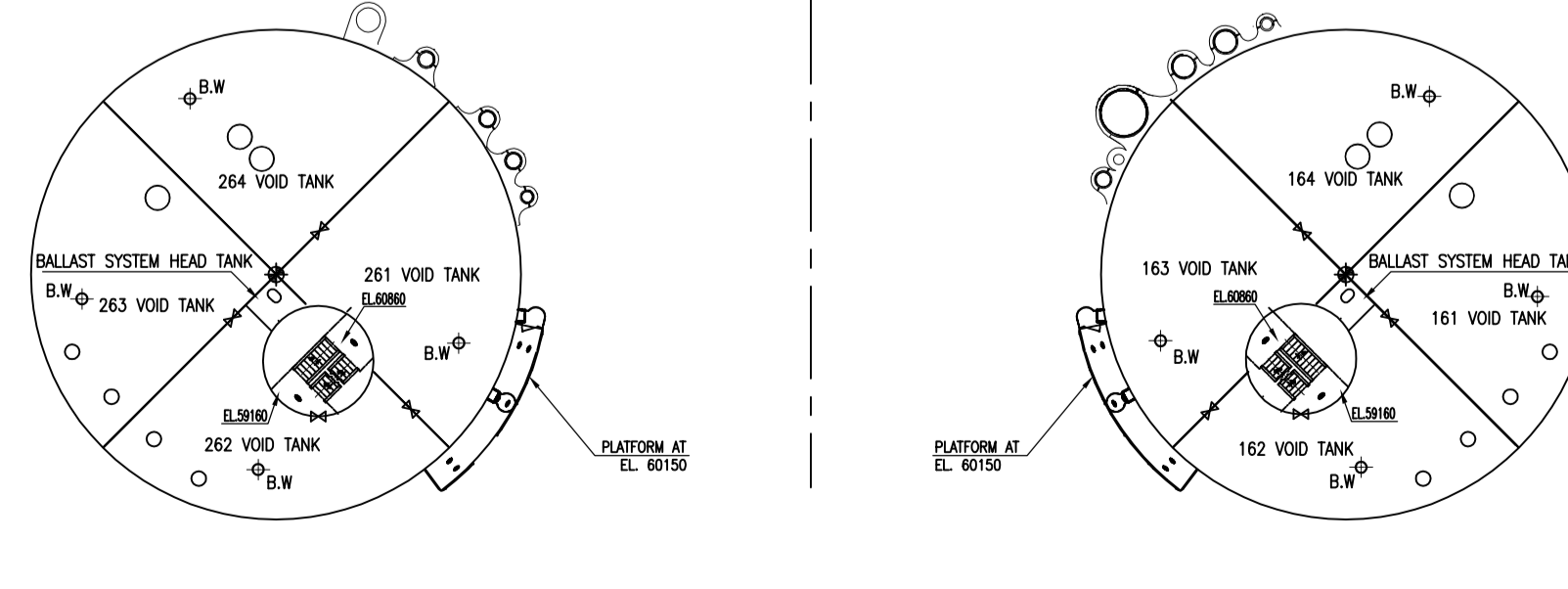
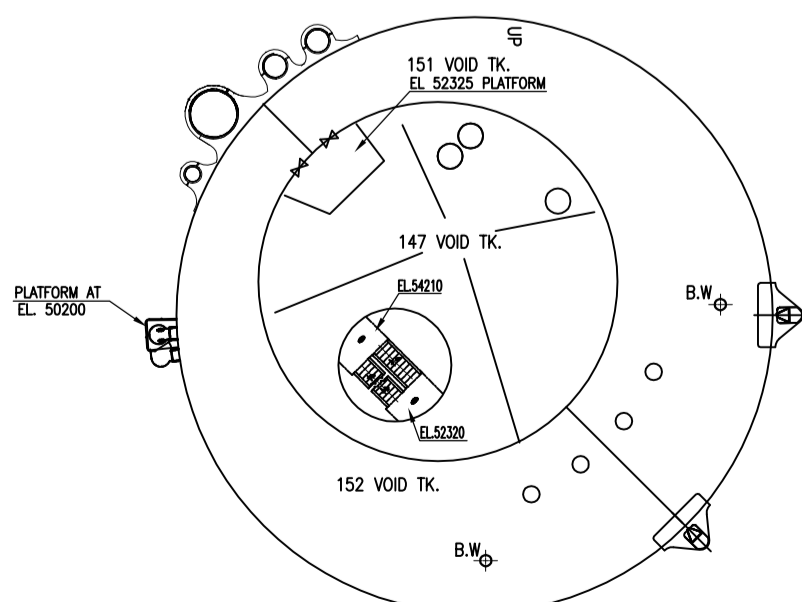
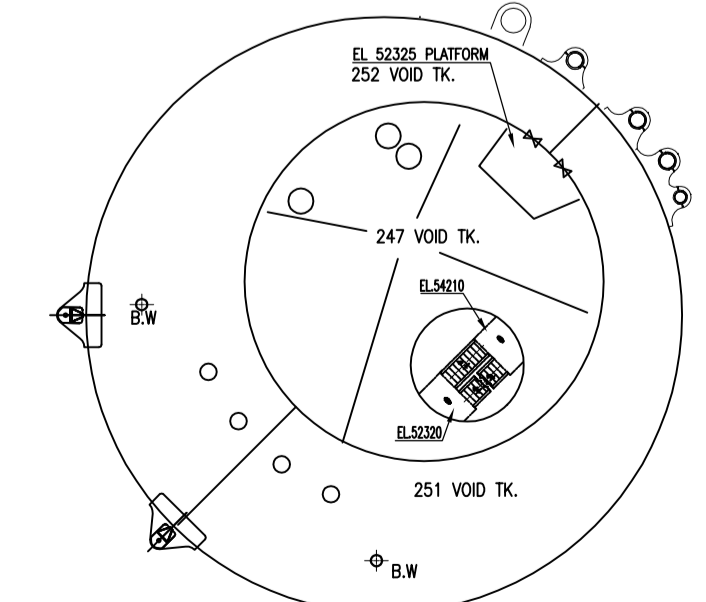
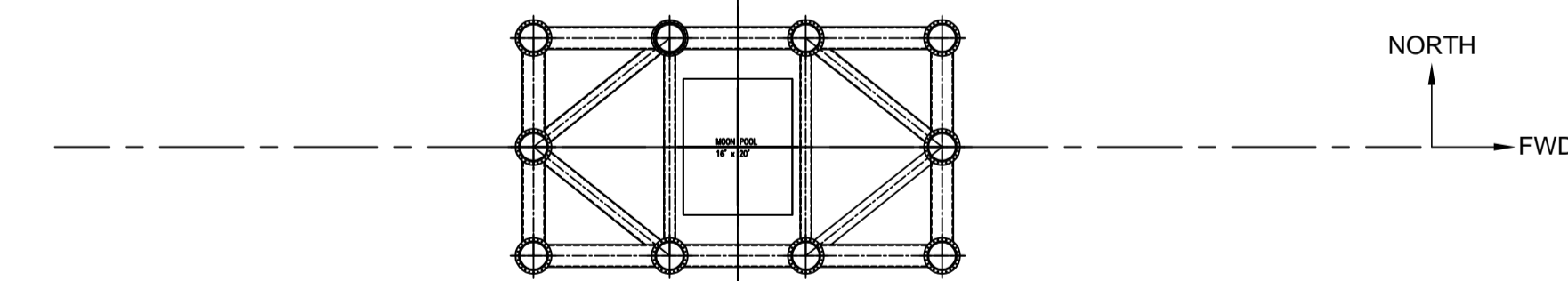
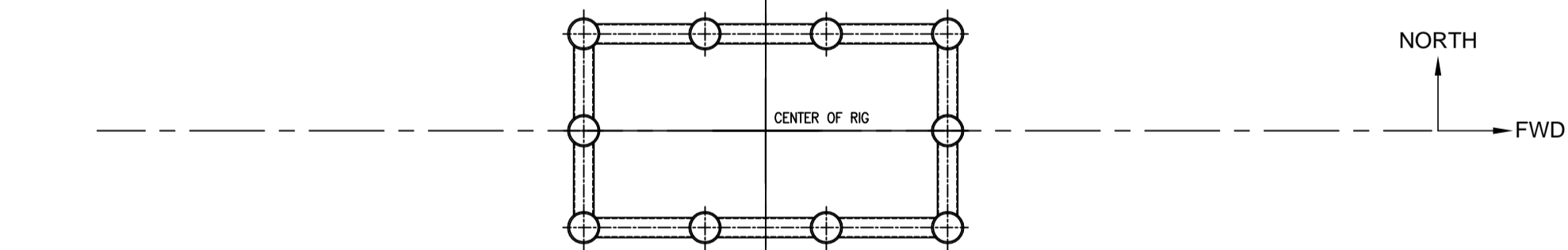
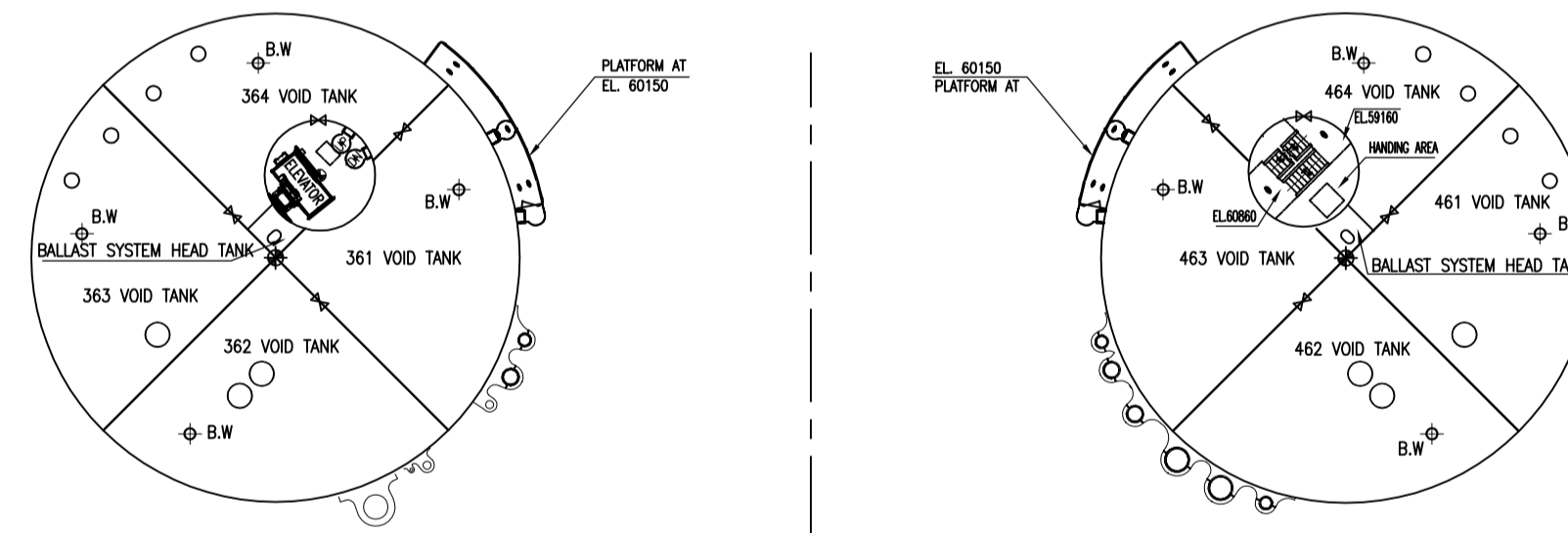
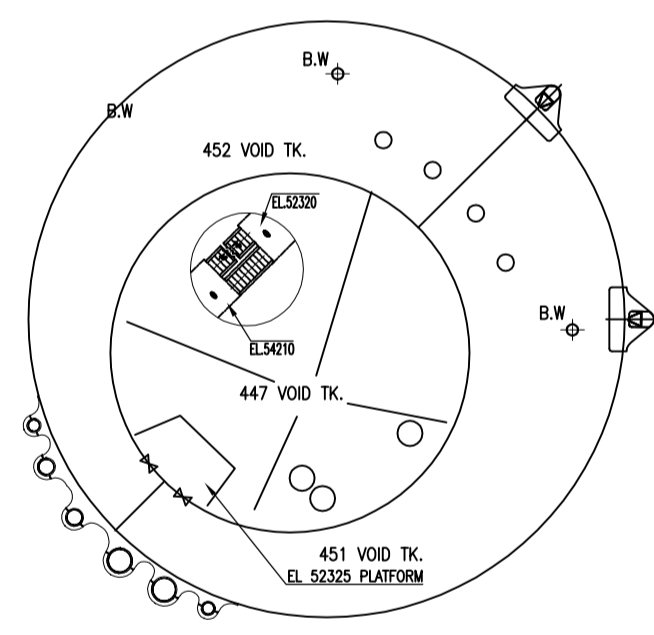
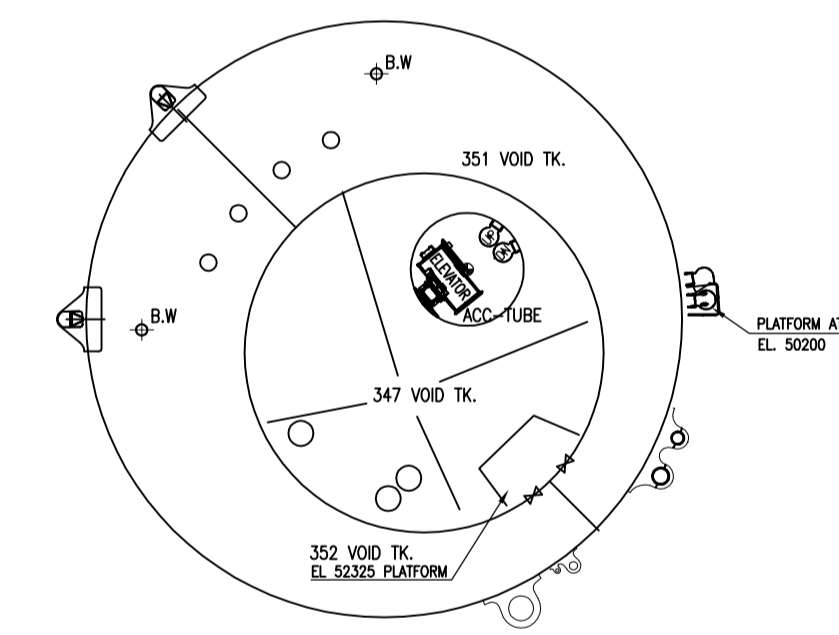
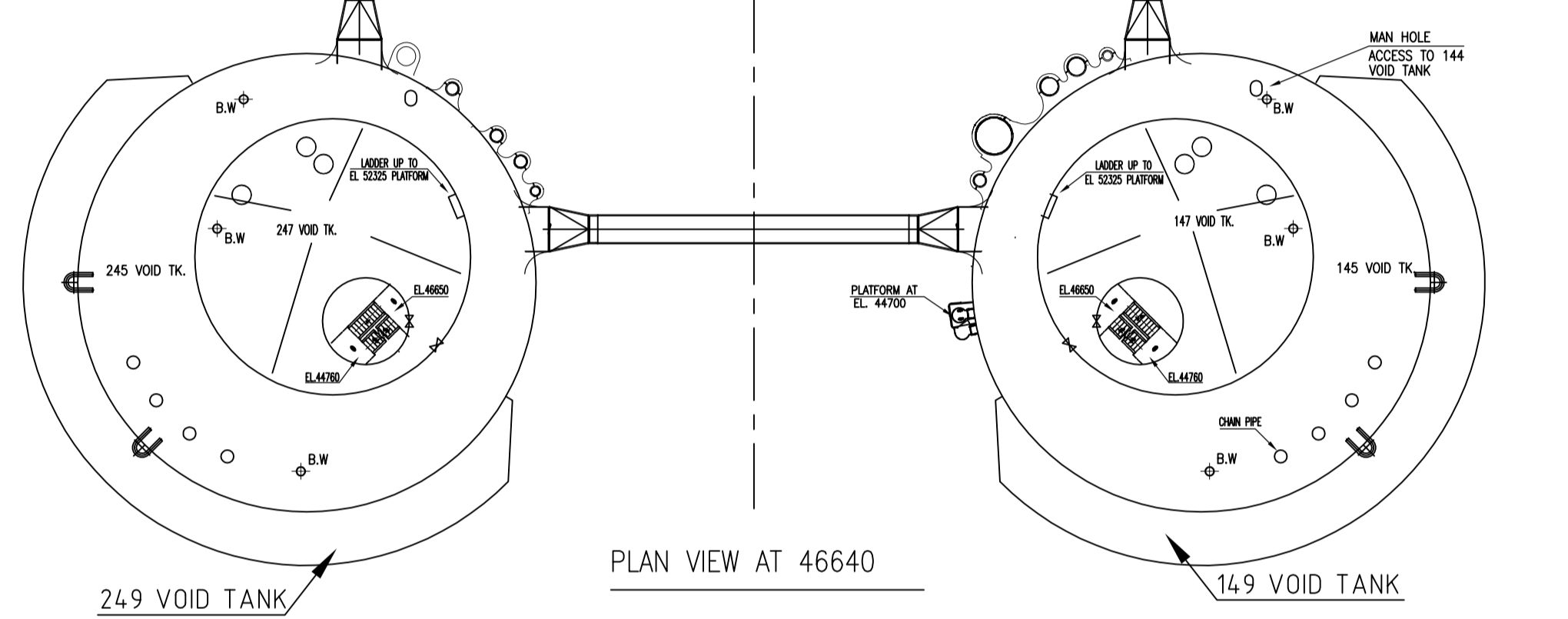
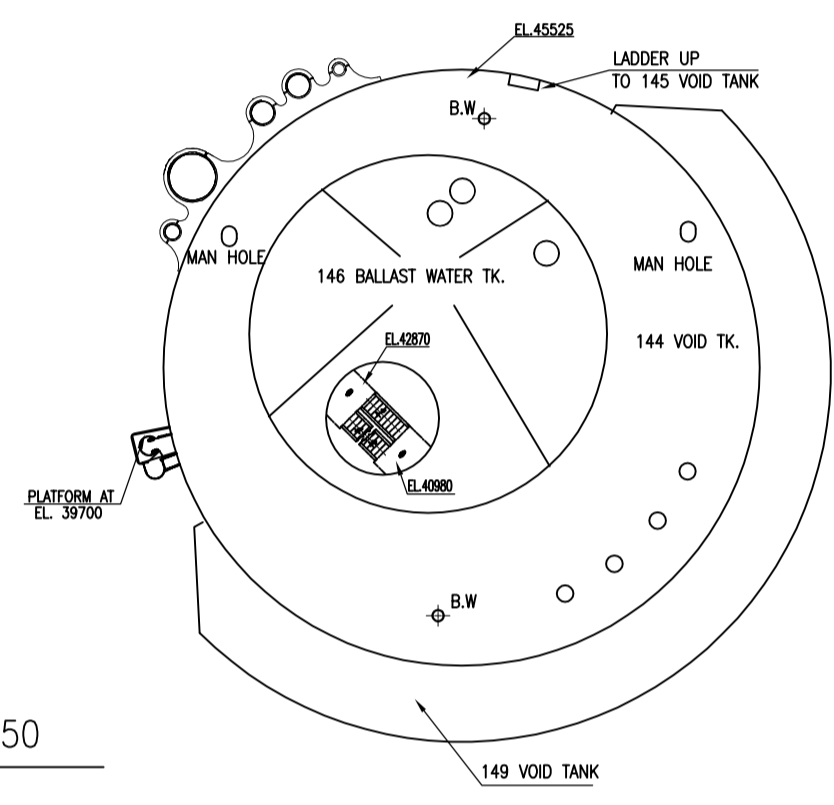
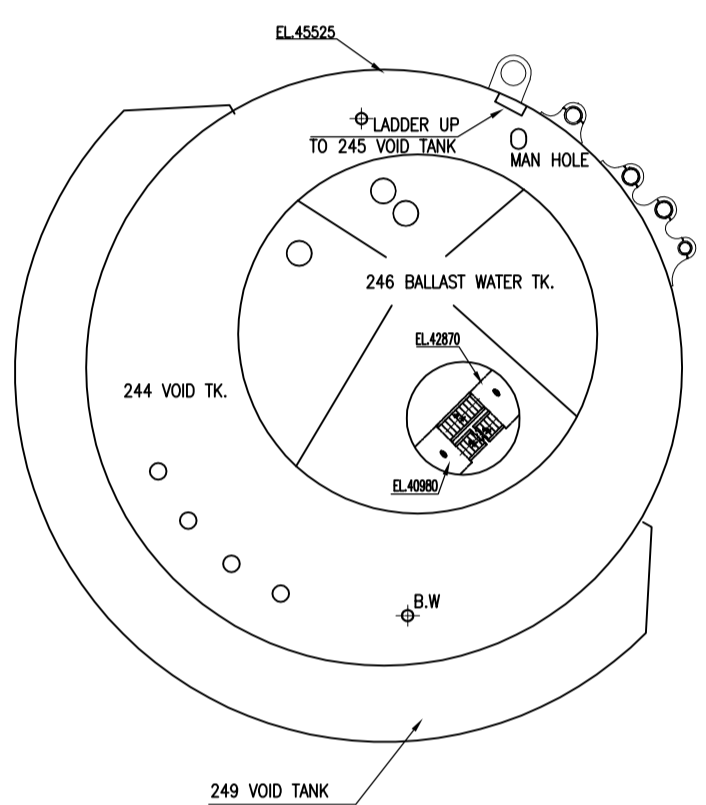
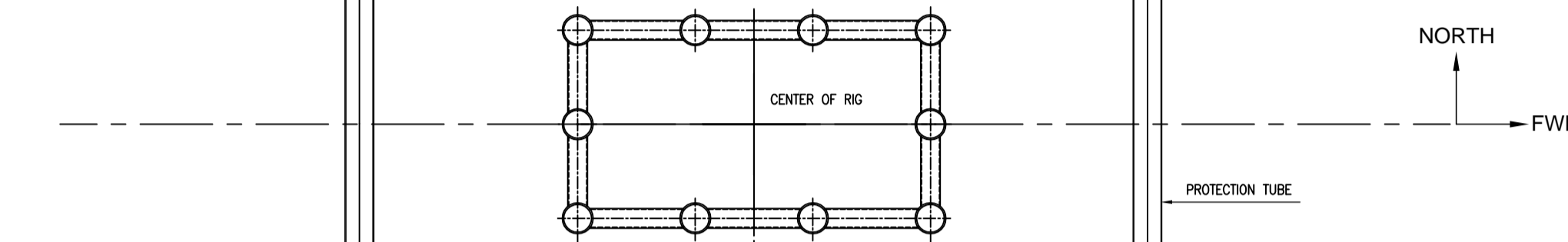
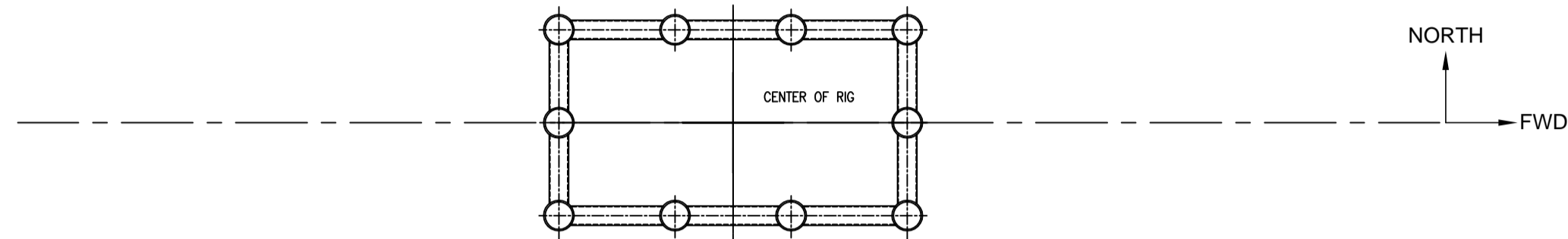
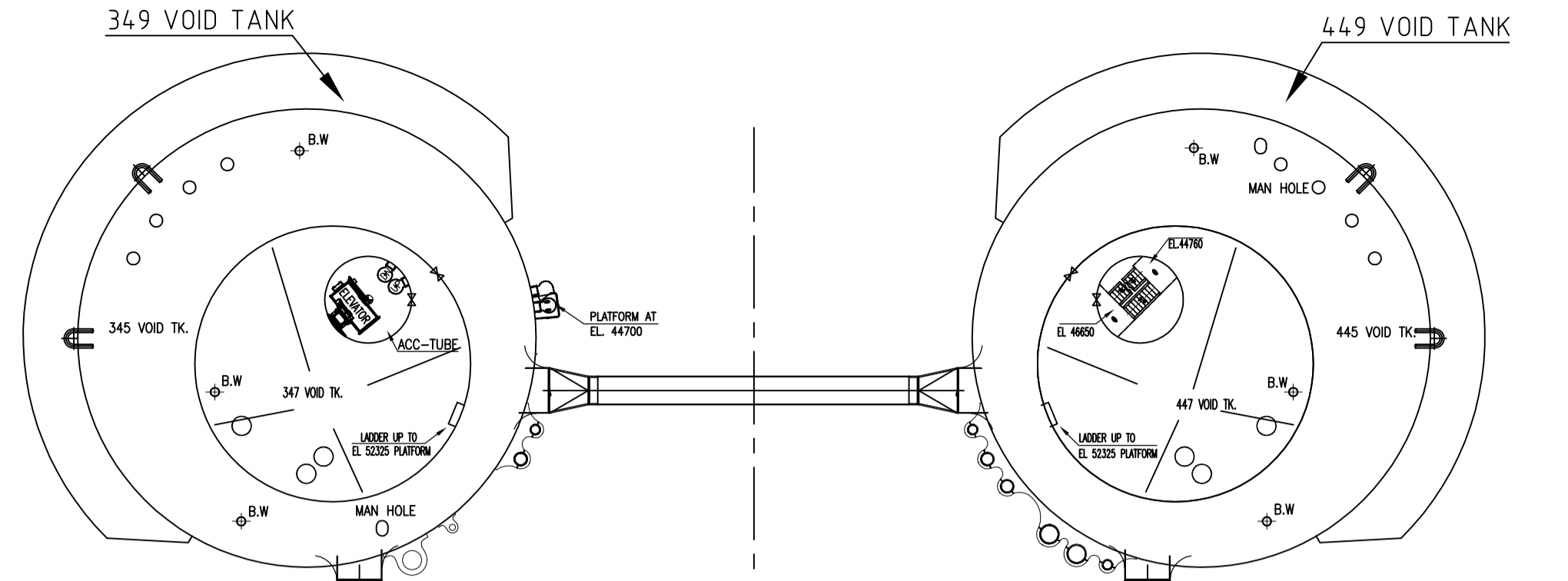
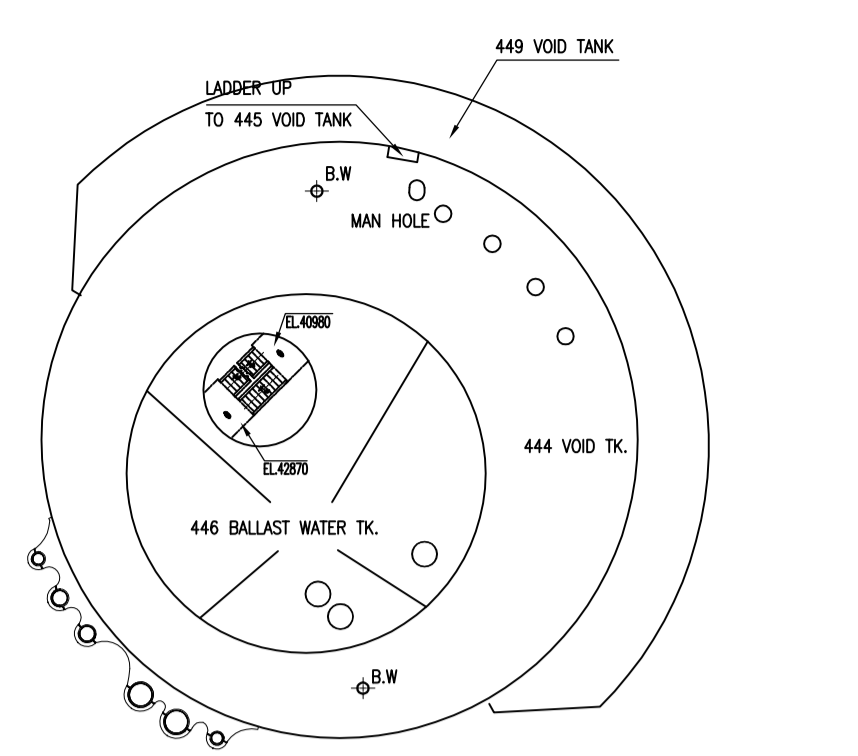
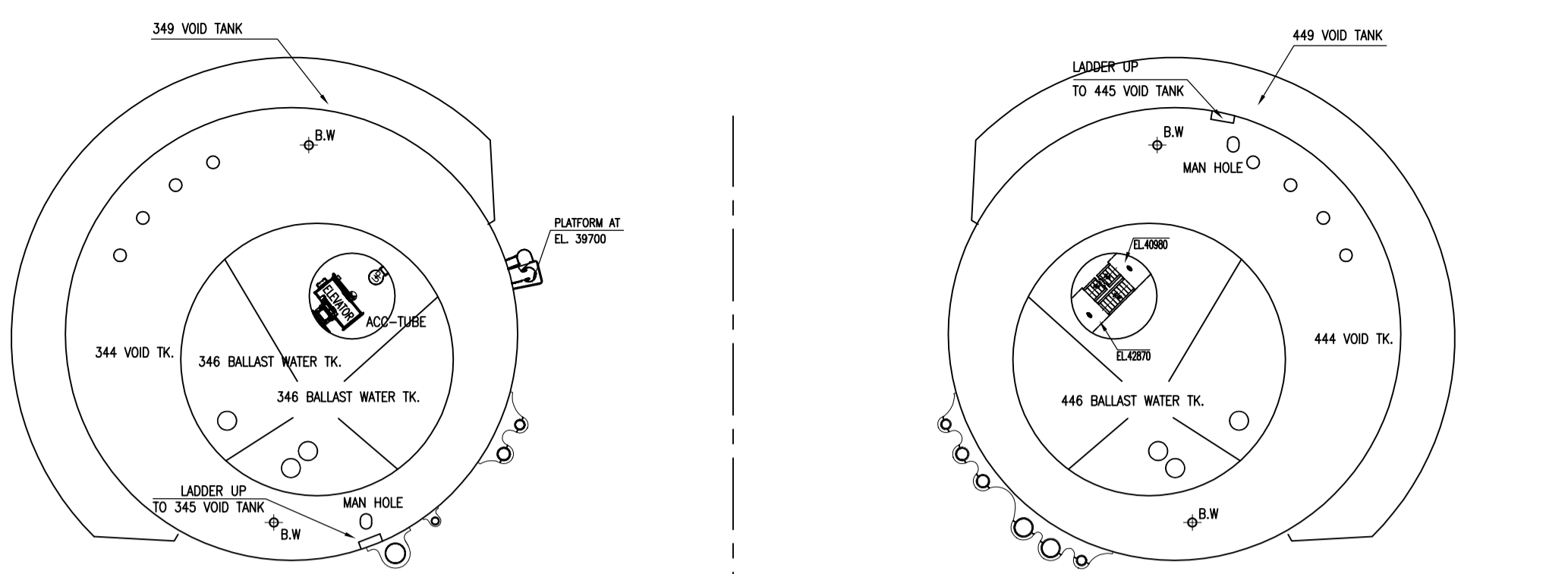
C

B

1

2

3



PLAN VIEW AT 40950

PLAN VIEW AT 46640

PLAN VIEW AT 52325

PLAN VIEW AT 59150

NOTES:

NO	DESCRIPTIONS & NOTES	BY	DATE
----	----------------------	----	------

LIST OF ALTERATIONS

4	3264-078-02	PLATFORMS LADDERS AND STAIRS EXTERNAL
3	3264-078-01	PLATFORMS LADDERS AND STAIRS EXTERNAL
2	N262-5050-05r2	DOOR SCHEDULE-COLUMN PLAN (EL 36400 65975 75000 ABL)
1	N262-5040-05r3	MANHOLE SCHEDULE-COLUMN PLAN(EL.46640,52325,59150,65975A,B,L)

LIST OF REFERENCED DRAWINGS AND DOCUMENTS

DATE	REV	DESCRIPTION	DWN	CHKD	APPD
2012.12.24	AS	AS BUILT	HZH	XHJ	ZLB

PROJECT CHEVIOT-OCTABUOY

DWG TITLE: GENERAL ARRANGEMENT COLUMN DECK PLAN EL. 40950,46640,52325&59150 ABL	DWG No. N262-G003-02
SCALE 1:300	SFI No. 101
SHEET 1/1	STATUS AS

NOTES:

D

C

B

1

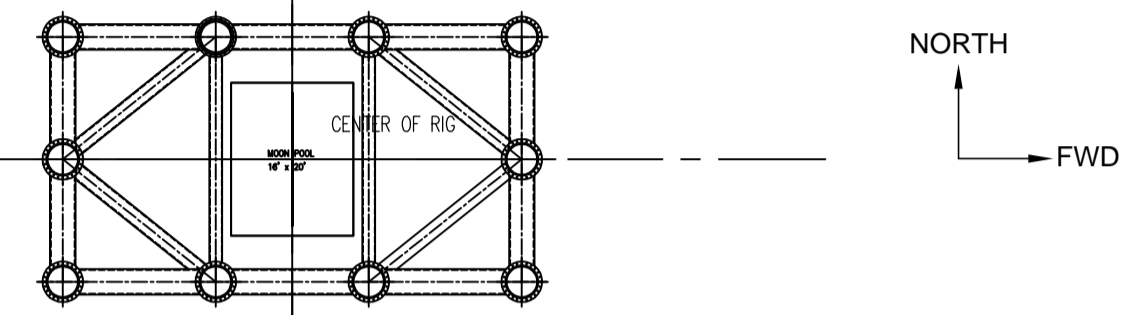
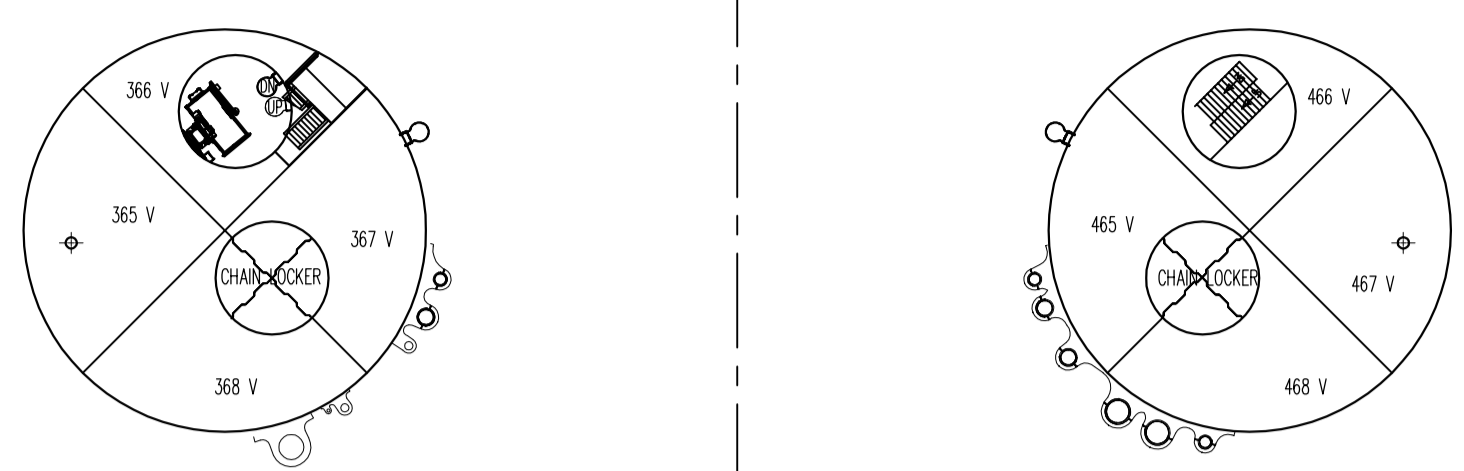
2

3

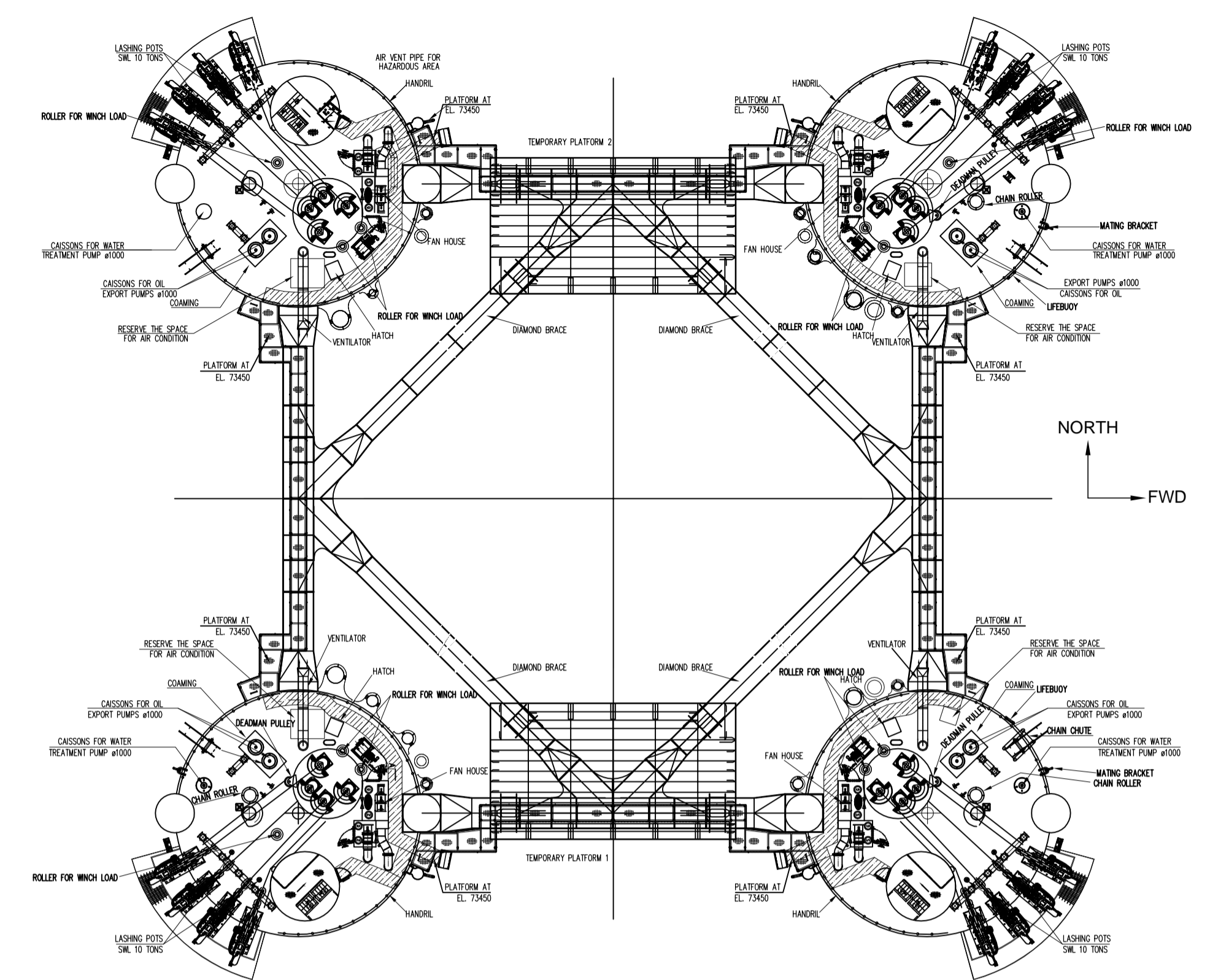
TC-NT

TC-SH

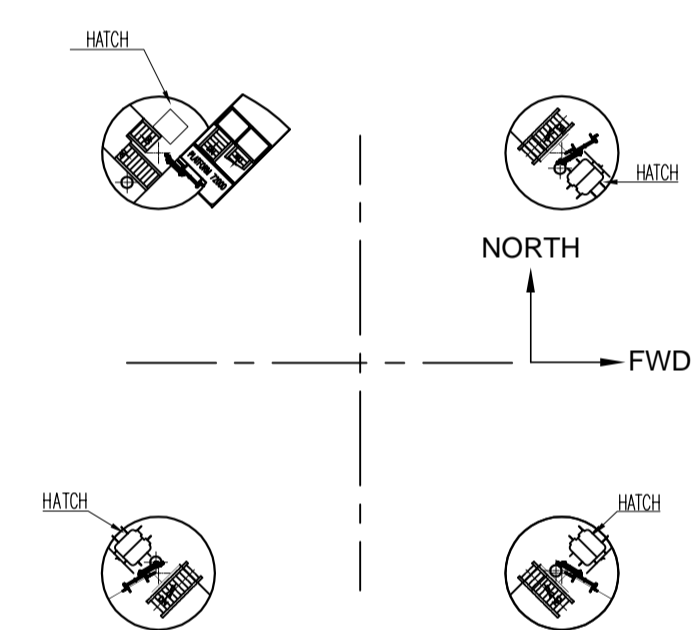
Total



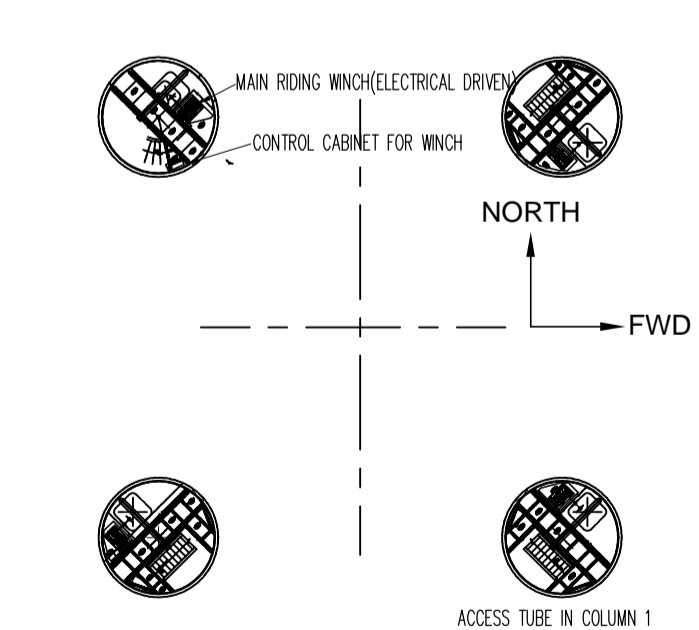
PLAN VIEW AT 65975



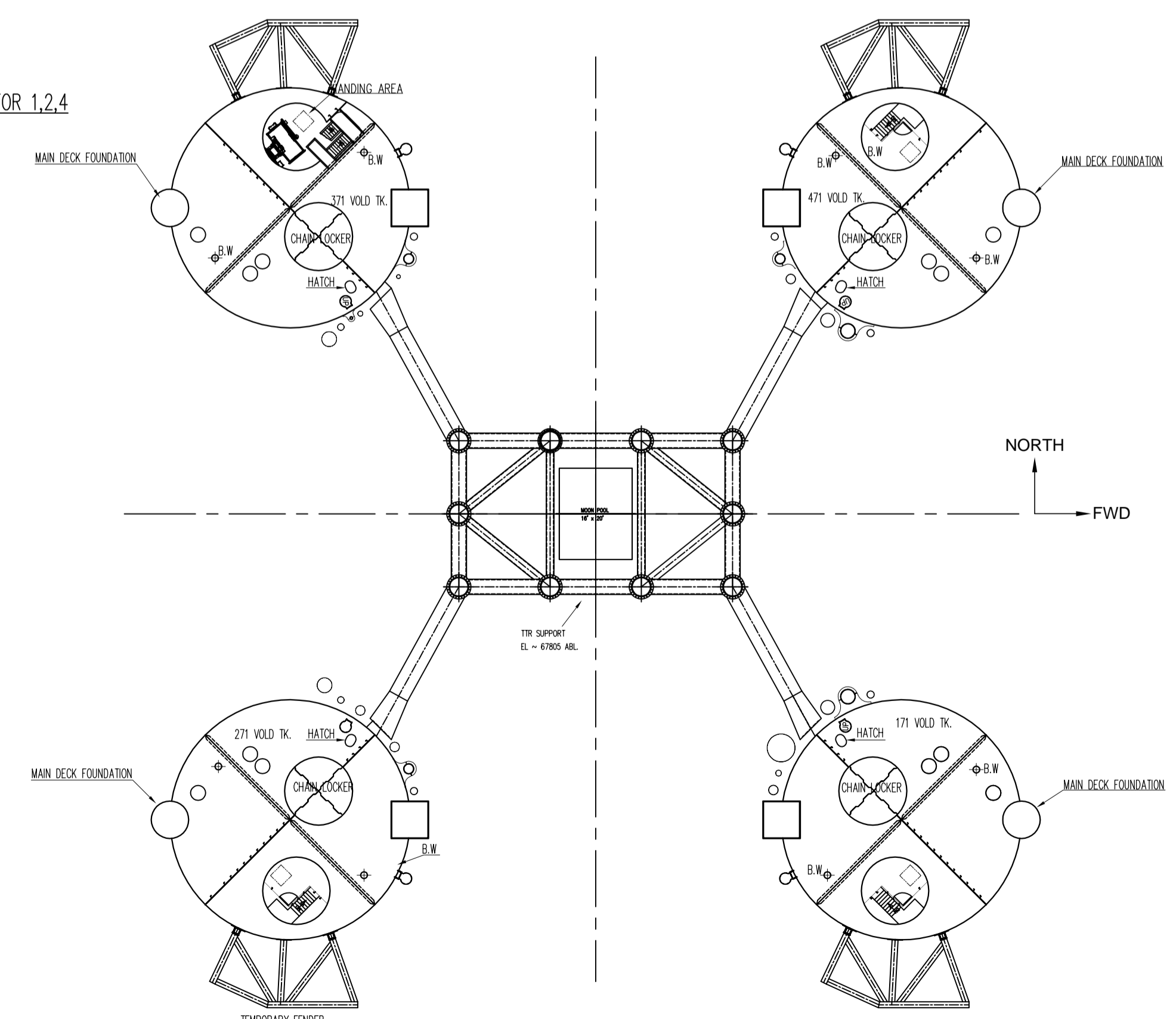
PLAN VIEW AT 78500



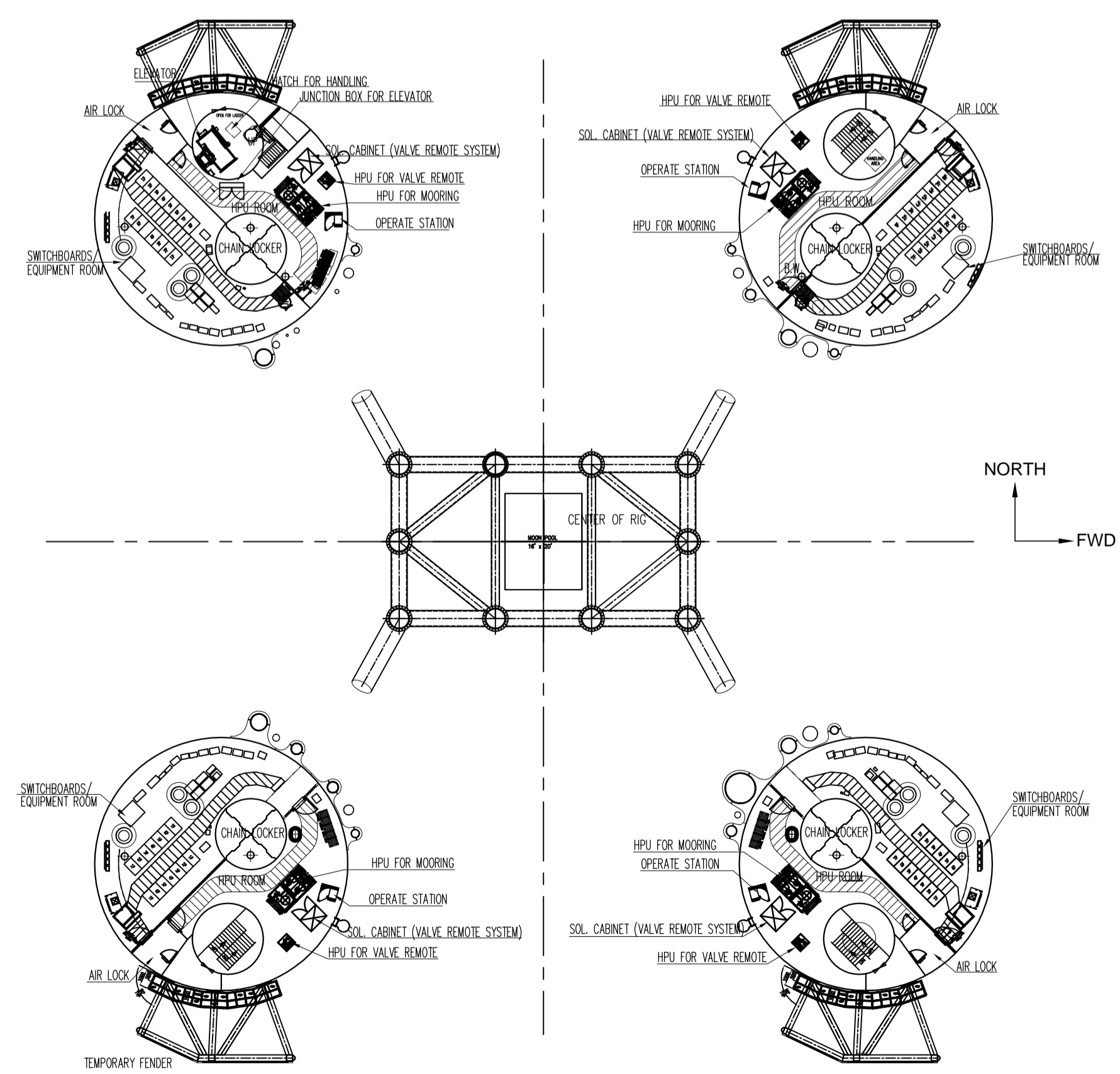
WATER-TIGHT DECK IN THE ACCESS TUBE AT 76000 FOR 1,2,4 75500 FOR COLUMN 3



PLAN VIEW AT 84950 FOR 4 ACCESS TUBES



PLAN VIEW AT 74500



PLAN VIEW AT 69475

NO	DESCRIPTIONS & NOTES	BY	DATE
LIST OF ALTERATIONS			
5	3264-078-02	PLATFORMS LADDERS AND STAIRS EXTERNAL	
4	3264-078-01	PLATFORMS LADDERS AND STAIRS EXTERNAL	
3	3264-075-02_01	ARRANGEMENT OF EQUIPMENT ROOMS IN COLUMN TOP	
2	3264-075-01_01	ARRANGEMENT OF EQUIPMENT ROOMS IN COLUMN TOP	
1	N262-5050-05/2	DOOR SCHEDULE - COLUMN PLAN (EL. 36400 65975 75000 ABL)	

LIST OF ALTERATIONS

ITEM	DWG NO	DRAWING NAME OR DOCUMENTS TITLE
5	3264-078-02	PLATFORMS LADDERS AND STAIRS EXTERNAL
4	3264-078-01	PLATFORMS LADDERS AND STAIRS EXTERNAL
3	3264-075-02_01	ARRANGEMENT OF EQUIPMENT ROOMS IN COLUMN TOP
2	3264-075-01_01	ARRANGEMENT OF EQUIPMENT ROOMS IN COLUMN TOP
1	N262-5050-05/2	DOOR SCHEDULE - COLUMN PLAN (EL. 36400 65975 75000 ABL)

LIST OF REFERENCED DRAWINGS AND DOCUMENTS

DATE	REV	DESCRIPTION	DWN	CHKD	APPD
2012.12.10	AS	AS BUILT	HZH	XHJ	ZLB

PROJECT	CHEVIOT-OCTABUOY
DWG TITLE:	GENERAL ARRANGEMENT COLUMN DECK PLAN
SCALE	1/1
SHEET	101
STATUS	AS

DWG No.	N262-G003-03
SFI No.	101
SCALE	1/1
SHEET	101
STATUS	AS